

60cm Semi-Integrated Dishwasher

ODWIS6015X

omega

Designed to Enhance
EST. 1981

@omegaappliances_au
omegaappliances.com.au

Contents

Welcome	03
Safety Information	04
Your Dishwasher	06
Installation Instructions	08
Operating Instructions	13
Preparing & Loading Dishes	17
Rinse Aid & Detergent	21
Cleaning & Maintenance	24
Troubleshooting	26
Purchase Details	29
Warranty Information	30

Welcome

Residentia Group

—

Head Office

165 Barkly Avenue
Burnley Victoria
Australia 3121

—

ACN

600 546 656

—

Online

residentia.group
omegaappliances.com.au
@omegaappliances_au

—

Postage

PO BOX 5177, Burnley
VIC Australia 3121

—

Telephone

1300 11 4357

—

Email

support@residentia.group

Congratulations on purchasing your Semi-Integrated Dishwasher! Omega appliances are proudly owned and distributed within Australia by Residentia Group Pty Ltd.

Please refer to the warranty chapter at the rear of this manual for information regarding your product's parts and labour warranty, or visit us online at:

→ residentiagroup.com.au

Here at Residentia Group, we are customer obsessed and our Support Team are there to ensure you get the most out of your appliance. Should you want to learn more about your unit, and importantly, taking care of the appliance, our Support Team are here to help. You can use our online Support Centre at any time by visiting:

→ support.residentiagroup.com.au

Or you can contact us by dialling: 1300 11 HELP (4357)

It is important that you read through the following user manual thoroughly, in order to familiarise yourself with the installation and operation requirements of your appliance, and to ensure optimum performance.

Again, thank you for choosing an Omega appliance. We look forward to being of service to you.

Kind Regards,
The Residentia Team

Customer Care

—

At Residentia Group, we strongly encourage the use of authentic spare parts to guarantee the best results. When contacting our spare parts team through 1300 11 HELP, or by emailing parts@residentiagroup.com.au, please ensure that you have the model and serial numbers on hand, which are found on your appliances' rating plate.

Safety Information

Important Safety Instructions

WARNING: When using your dishwasher, follow the precautions listed below:

- Installation and repair can only be carried out by a qualified technician.
- This appliance is only intended for use indoors only within a domestic environment.
- This appliance is not intended for use by persons (including children) with reduced physical, sensory or mental capabilities, or lack of experience and knowledge, unless they have been given supervision or instruction concerning use of the appliance by a person responsible for their safety.
- Children should be supervised to ensure that they do not play with the appliance.
- If the power cord is in any way damaged it must be replaced by the manufacturer, its service agent or a qualified and licensed electrician.
- To protect against the risk of electrical shock, do not immerse the unit, cord or plug in water or other liquid
- Please unplug before cleaning and performing maintenance on the appliance.
- Use a soft cloth moistened with mild soap, and then use a dry cloth to wipe it again.

⊕ Earthing Instructions

- This appliance must be earthed. In the event of a malfunction or breakdown, earthing will reduce the risk of an electric shock by providing a path of least resistance of electric current. This appliance is equipped with an earthing conductor plug.
- The plug must be plugged into an appropriate outlet that is installed and earthed in accordance with all local codes and ordinances.
- Improper connection of the equipment-earthing conductor can result in the risk of an electric shock.
- Check with a qualified electrician or service representative if you are in doubt whether the appliance is properly grounded.
- Do not modify the plug provided with the appliance; If it does not fit the outlet.
- Have a proper outlet installed by a qualified electrician.
- Do not abuse, sit on, or stand on the door or dish rack of the dishwasher.
- Do not operate your dishwasher unless all enclosure panels are properly in place.
- Open the door very carefully if the dishwasher is operating, there is a risk of water squirting out.
- Do not place any heavy objects on or stand on the door when it is open. The appliance could tip forward.
 1. Locate sharp items so that they are not likely to damage the door seal;
 2. Warning: Knives and other utensils with sharp points must be loaded in the basket with their points facing down or placed in a horizontal position.
- Some dishwasher detergents are strongly alkaline. They can be extremely dangerous if swallowed. Avoid contact with the skin and eyes and keep children away from the dishwasher when the door is open.
- Check that the detergent powder is empty after completion of the wash cycle.
- Do not wash plastic items unless they are marked "dishwasher safe" or the equivalent.
- For unmarked plastic items not so marked, check the manufacturer's recommendations.

Safety Information (Continued)

- Use only detergent and rinse agents recommended for use in an automatic dishwasher.
- Never use soap, laundry detergent, or hand washing detergent in your dishwasher.
- The door should not be left open, since this could increase the risk of tripping.
- If the supply cord is damaged, it must be replaced by the manufacturer or its service agent or a similarly qualified person in order to avoid a hazard.
- During installation, the power supply must not be excessively or dangerously bent or flattened.
- Do not tamper with controls.
- The appliance needs to be connected to the main water valve using new hose sets. Old sets should not be reused.
- To save energy, in stand by mode, the appliance will switch off automatically while there is no any operation in 30 minutes.

Unpacking

After unpacking, please dispose of all elements of packaging in a way that will not cause damage to the environment.

CAUTION: During unpacking, the packaging materials (polythene bags, polystyrene pieces, etc.) should be kept out of reach of children.

Disposal of the Appliance

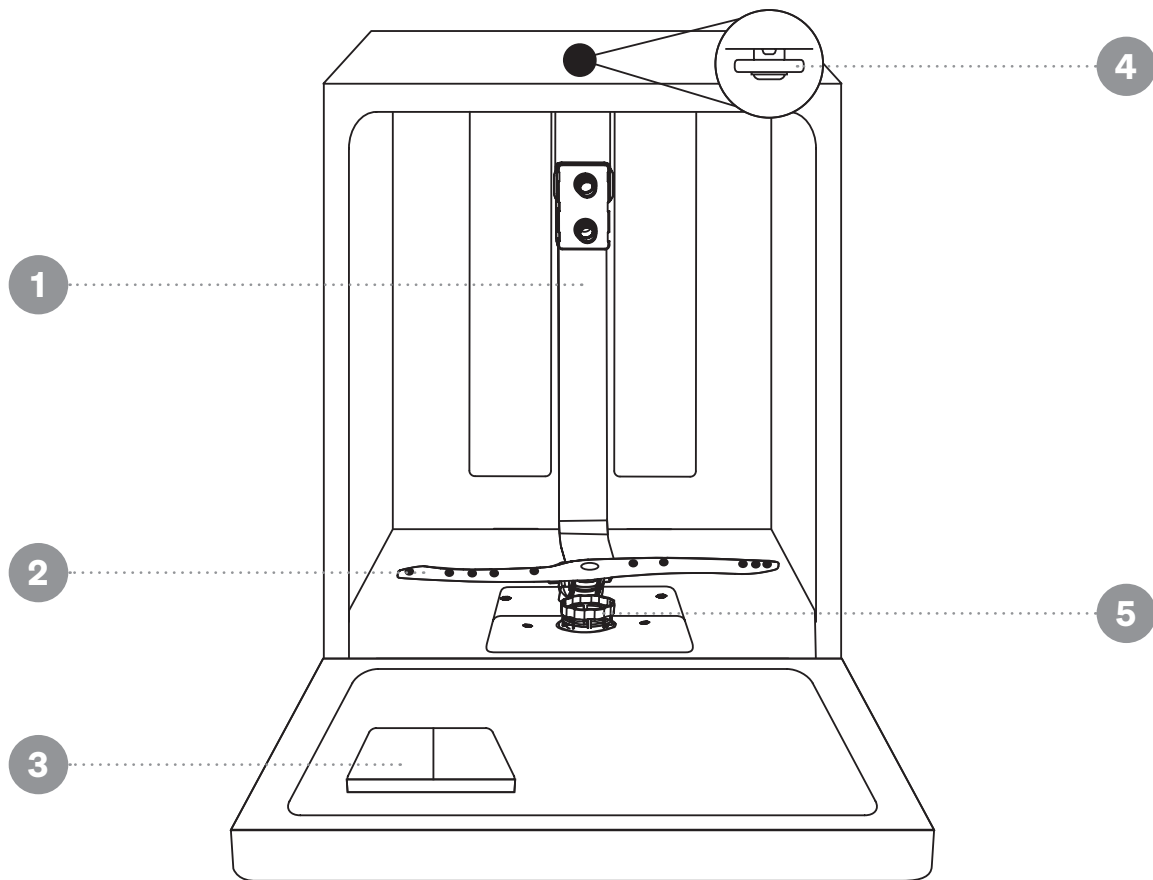
- For disposing of package and the appliance please go to a recycling center. Therefore cut off the power supply cable and make the door closing device unusable.
- Cardboard packaging is manufactured from recycled paper and should be disposed in the waste paper collection for recycling.
- By ensuring this product is disposed of correctly, you will help prevent potential negative consequences for the environment and human health, which could otherwise be caused by inappropriate waste handling of this product.
- For more detailed information about recycling of this product, please contact your local city office and your household waste disposal service.
- **DISPOSAL:** Do not dispose this product as unsorted municipal waste. Collection of such waste separately for special treatment is necessary.



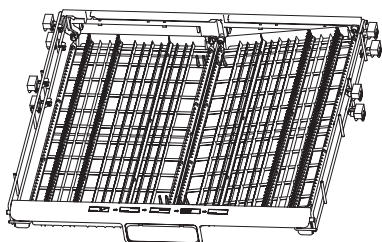
Your Dishwasher

Key

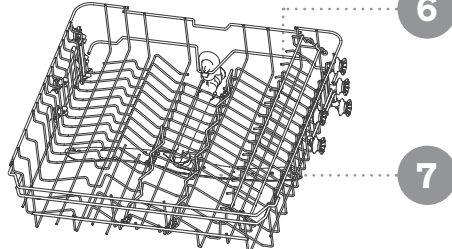
- 1. Inner Pipe
- 2. Lower Spray Arm
- 3. Dispenser
- 4. Top Spray Arm
- 5. Filter Assembly
- 6. Cup Rack
- 7. Upper Spray Arm



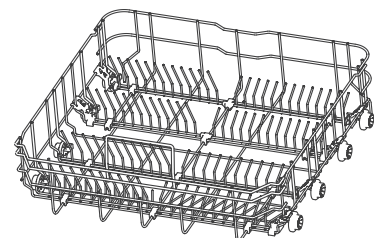
Cutlery Drawer



Upper Basket



Lower Basket

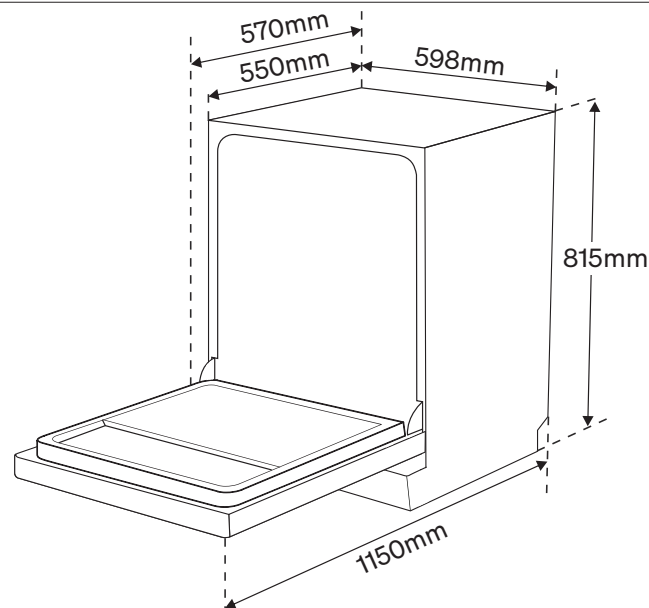


Your Dishwasher (Continued)

Product Specifications

Model	ODWIS6015X
Standard Place Settings	15
Installation	Built-in
Dimensions (W × D × H mm)	598 × 570 × 815
Depth (Not Including Door)	550 mm
Depth with Door Opened 90°	1150 mm
Weight (Net)	32.2 kg
Energy Efficiency Rating (MEPS)	4 Stars
Water Consumption Rating (WELS)	5 Stars
Standard Cleaning Cycle	ECO
Energy Consumption of Standard Cleaning Cycle	0.664 kWh
Water Consumption of Standard Cleaning Cycle	12 Litre
Program Duration of Standard Cleaning Cycle	195 Minutes
Max Noise Level	47 dB(A) re 1 pW
Power Consumption	1760–2100W
Rated Voltage / Frequency	AC 220–240V/50Hz
Water Pressure (Flow Pressure)	0.04–1.0MPa = 0.4–10 bar

ODWIS6015X



Installation Instructions

Prior to Installing Appliance

WARNING: ELECTRICAL SHOCK HAZARD

Disconnect electrical power before installing dishwasher. Failure to do so could result in death or electrical shock.

IMPORTANT: The installation of the pipes and electrical equipments should be done by professionals.



Power Connection

WARNING: FOR YOUR PERSONAL SAFETY

- Do not use an extension cord or an adapter plug with this appliance.
- Do not, under any circumstances, cut or remove the earthing connection from the power cord.

Electrical requirements

Please look at the rating label to know the rating voltage and connect the dishwasher to the appropriate power supply. Use the required fuse 10A/13A/16A, time delay fuse or circuit breaker recommended and provide separate circuit serving only this appliance.

Electrical connection

Ensure the voltage and frequency of the power being corresponds to those on the rating plate. Only insert the plug into an electrical socket which is earthed properly. If the electrical socket to which the appliance must be connected is not appropriate for the plug, replace the socket, rather than using a adapters or the like as they could cause overheating and burns.

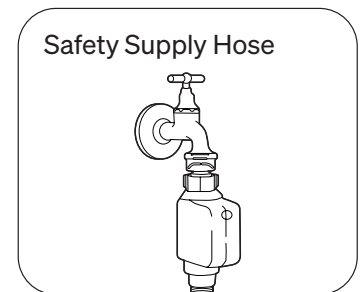
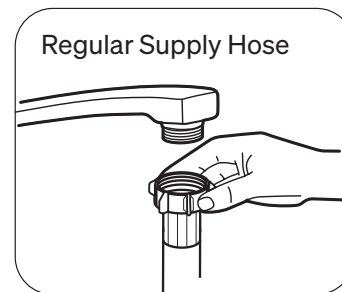
WARNING: Ensure that proper earthing exists before use.

Water Supply And Drain

Cold water connection

Connect the cold water supply hose to a threaded 3/4 inch connector and make sure that it is fastened tightly in place.

If the water pipes are new or have not been used for an extended period of time, let the water run to make sure that the water is clear. This precaution is needed to avoid the risk of the water inlet to be blocked and damage the appliance.



Safety Supply Hose

The safety supply hose consists of double walls. The hose's system guarantees its intervention by blocking the flow of water in case of the supply hose breaking and when the air space between the supply hose itself and the outer corrugated hose is full of water.

WARNING:

A hose that attaches to a sink spray can burst if it is installed on the same water line as the dishwasher. If your sink has one, it is recommended that the hose be disconnected and the hole plugged.

Connecting the Safety Supply Hose

1. Pull the safety supply hose completely out from storage compartment located at rear of dishwasher.
2. Tighter the screws of the safety supply hose to the faucet with thread 3/4 inch.
3. Turn water fully on before starting the dishwasher.

Disconnecting the Safety Supply Hose

1. Turn off the water.
2. Unscrew the safety supply hose from the faucet.

Installation Instructions (Continued)

Connection of Drain Hoses

Insert the drain hose into a drain pipe with a minimum diameter of 4 cm, or let it run into the sink, making sure to avoid bending or crimping it. The height of drain pipe must be less than 1000mm. The free end of the hose must not be immersed in water to avoid the back flow of it.

WARNING:

Ensure that the drain hose is securely fixed in either position A or position B.

How to drain excess water from hoses

If the sink is 1000 higher from the floor, the excess water in hoses cannot be drained directly into the sink. It will be necessary to drain excess water from hoses into a bowl or suitable container that is held outside and lower than the sink.

Water outlet

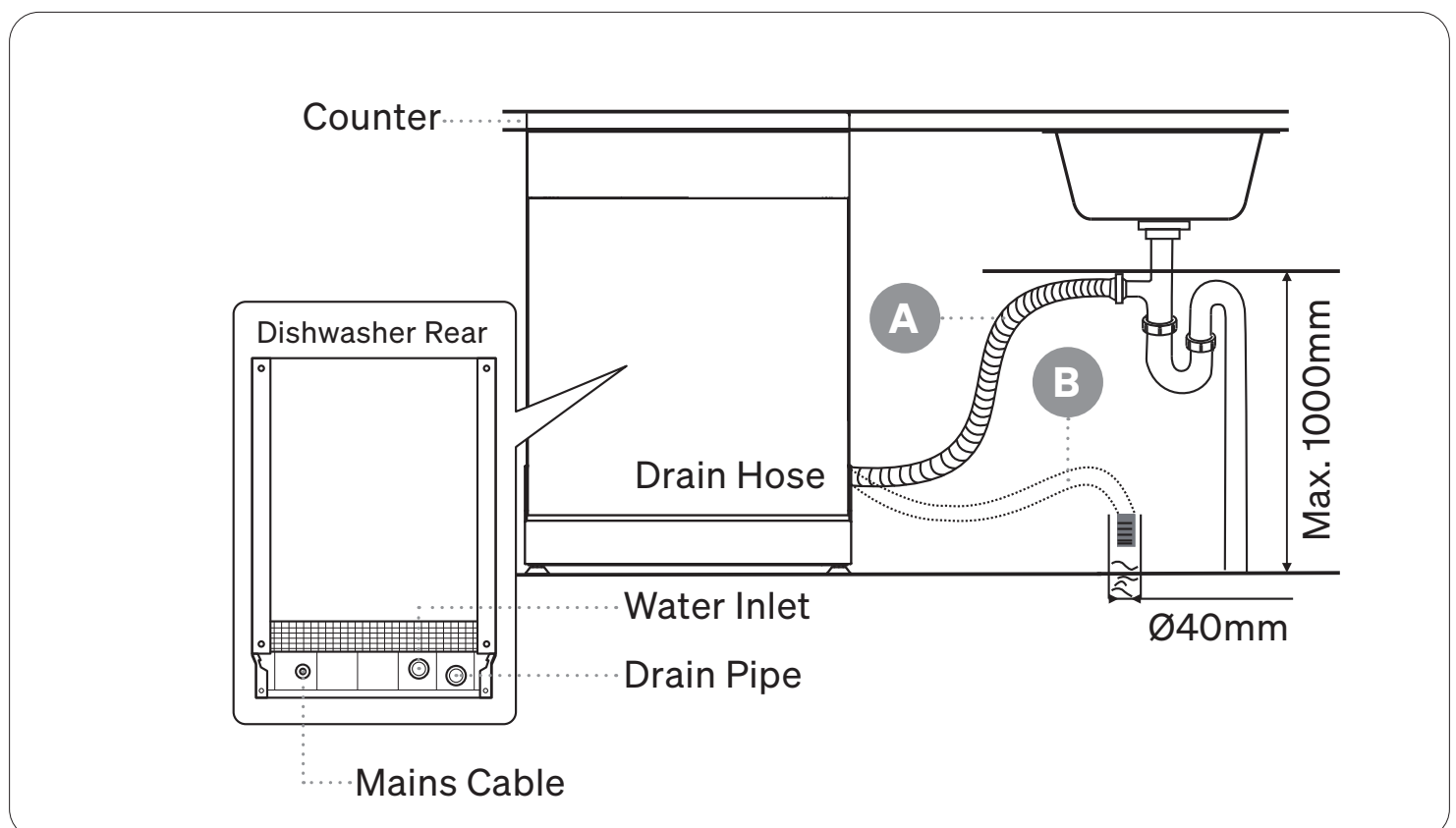
Connect the water drain hose. The drain hose must be correctly fitted to avoid water leaks. Ensure that the water drain hose is not kinked or squashed.

Extension hose

If you need a drain hose extension, make sure to use a similar drain hose. It must be no longer than 4 meters; otherwise the cleaning effect of the dishwasher could be reduced.

Siphon connection

The waste connection must be at a height less than 100 cm (maximum) from the bottom of the dish. The water drain hose should be fixed.

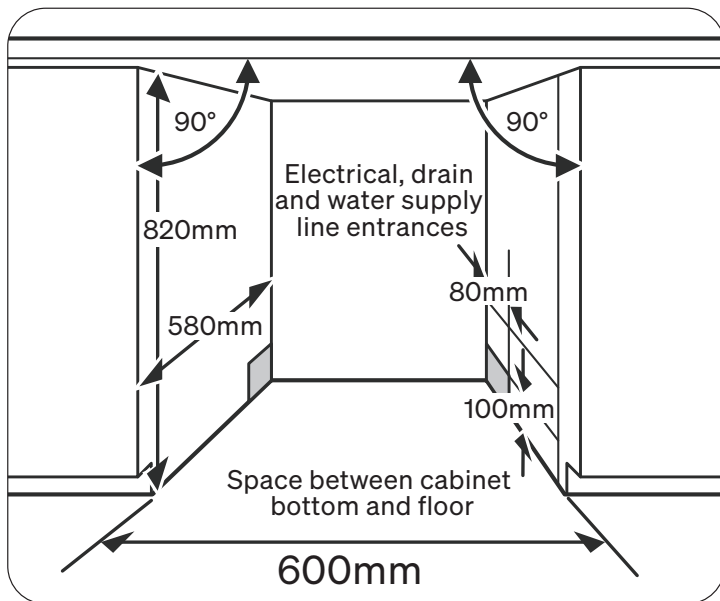


Installation Instructions (Continued)

Positioning the Appliance

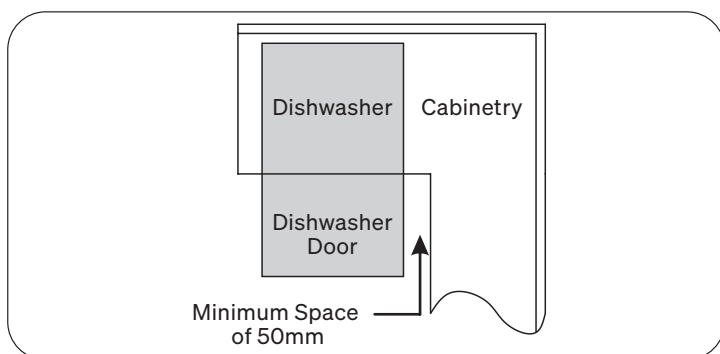
When positioning the appliance in your desired location, the back should rest against the wall behind it, and the sides should be along the adjacent cabinets or walls. The dishwasher is equipped with water supply and drain hoses that can be positioned either to the right or the left sides to facilitate proper installation.

The installation position of dishwasher should be near the existing inlet and drain hoses and power cord.



IMPORTANT:

- Less than 5 mm between the top of dishwasher and cabinet and the outer door aligned to cabinet.
- If dishwasher is installed at the corner of the cabinet, there should be some space when the door is opened.
- Depending on where your electrical outlet is, you may need to cut a hole in the opposite cabinet side.



Built-in Installation Steps

1. Begin by affixing the condensation strip under the work surface of the cabinet, ensuring it is flush with the edge of the work surface (refer to Positioning the Appliance).
2. Connect the inlet hose to the cold water supply.
3. Connect the drain hose.
4. Connect the power cord.
5. Position the dishwasher in the designated location (refer to Figure 3).
6. Level the dishwasher by adjusting the rear feet using a Philips screw at the base's center, accessible from the front. For the front feet adjustment, use a flat screwdriver and turn until the dishwasher is level (refer to Figure 1).
7. Install the Aesthetic Door Panel onto the outer door of the dishwasher (refer to Aesthetic Door Panel Installation on page 12).
8. Adjust the tension of the door springs using an Allen key, turning it clockwise to tighten both left and right door springs. Neglecting this step may result in damage to the dishwasher (refer to Figure 2).
9. Secure the dishwasher in place by following one of the two methods (refer to Figure 3):
 - A. For a wood work surface: Insert the installation hook into the slot of the side plane and secure it to the work surface using wood screws.
 - B. For a marble or granite worktop: Fix the side with screws.

Installation Instructions (Continued)

Levelling the Dishwasher:

To ensure optimal dish rack operation and wash performance, it is imperative that the dishwasher is perfectly level. Follow the steps below to achieve proper levelling:

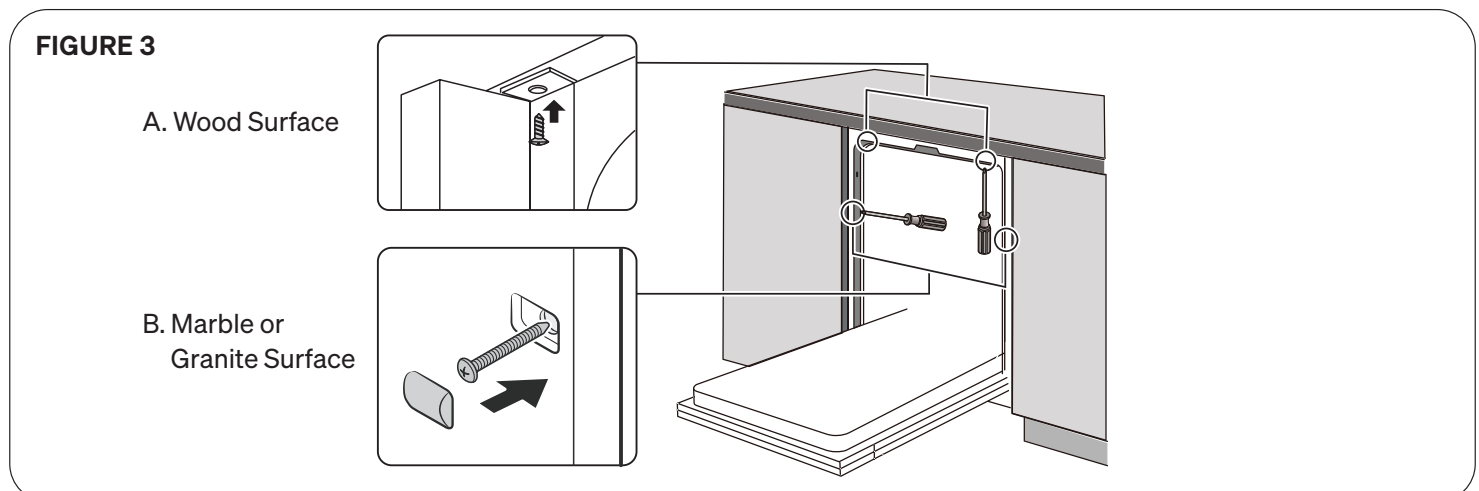
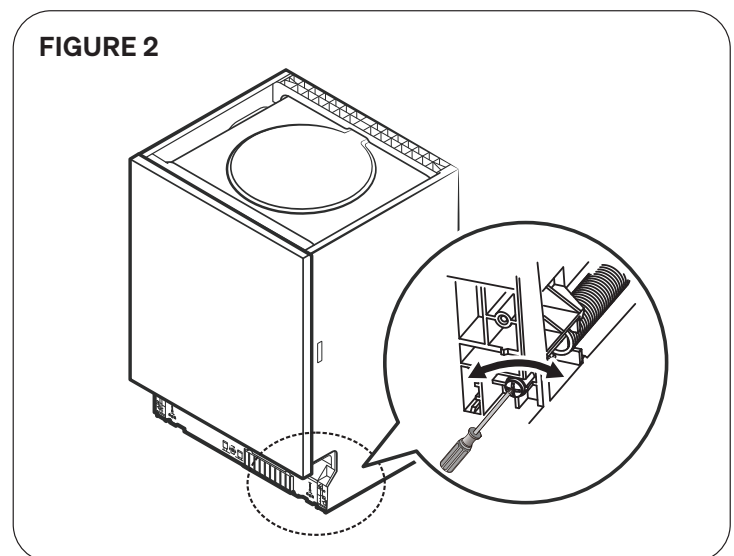
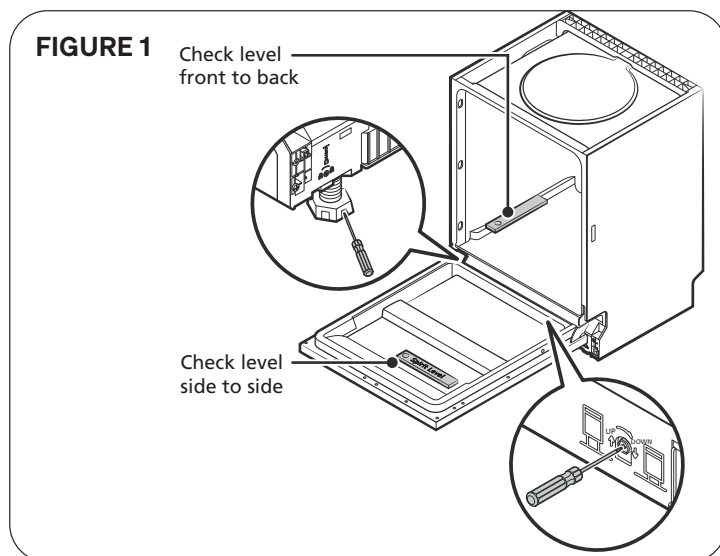
- Position a spirit level on the door and the rack track inside the tub, as indicated in the provided illustration, to verify the dishwasher's levelness.
- Adjust the dishwasher's level by manipulating the three levelling legs individually.
- Exercise caution while levelling the dishwasher to prevent it from tipping over.

NOTE: The maximum adjustment height of the levelling feet is 50 mm.

Adjusting the Door spring tension

The door springs are set at the factory default tension for the outer door. Once the Aesthetic Door Panel is installed, you will have to adjust the door spring tension.

- Rotate the adjusting screw to tighten or loosen the door steel cable (refer to Figure 3).
- The door spring tension is correct when the door remains horizontal in the fully opened position, yet rises to a close with the slight lift of a finger.



Installation Instructions (Continued)

Aesthetic Door Panel Installation

This appliance is semi-integrated and does not include a aesthetic door panel. Before installing this product please contact a kitchen cabinetmaker to organise a door panel in your chosen finish.

NOTE: Refer to the aesthetic door panel installation template for panel measurements.

Apply Adhesive Strip A onto the aesthetic door panel, and then apply Adhesive Strip B onto the outer door of the dishwasher (refer to Figure 4).

After positioning of the door panel, secure it onto the outer door of the dishwasher using the 4 long screws provided in place of the short screws (refer to Figure 5).

FIGURE 4

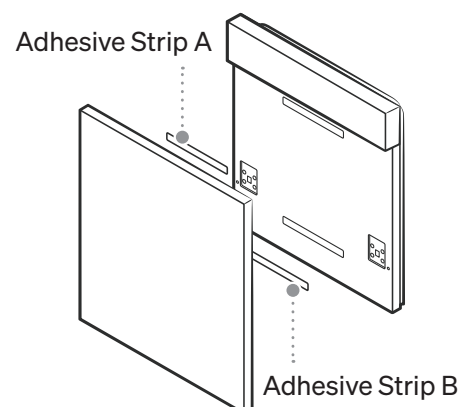
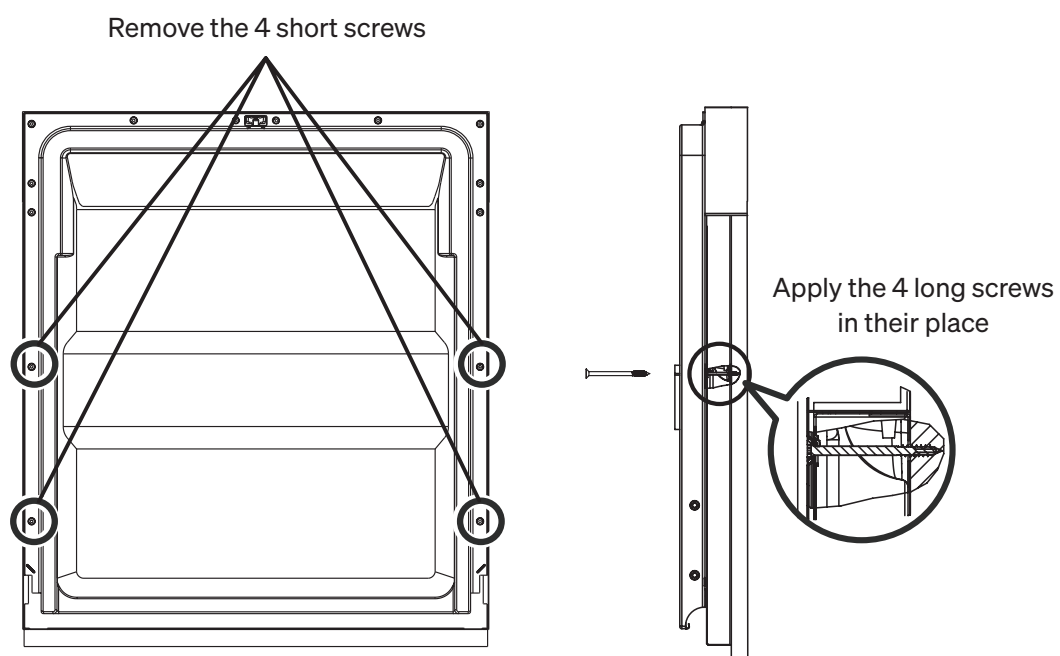
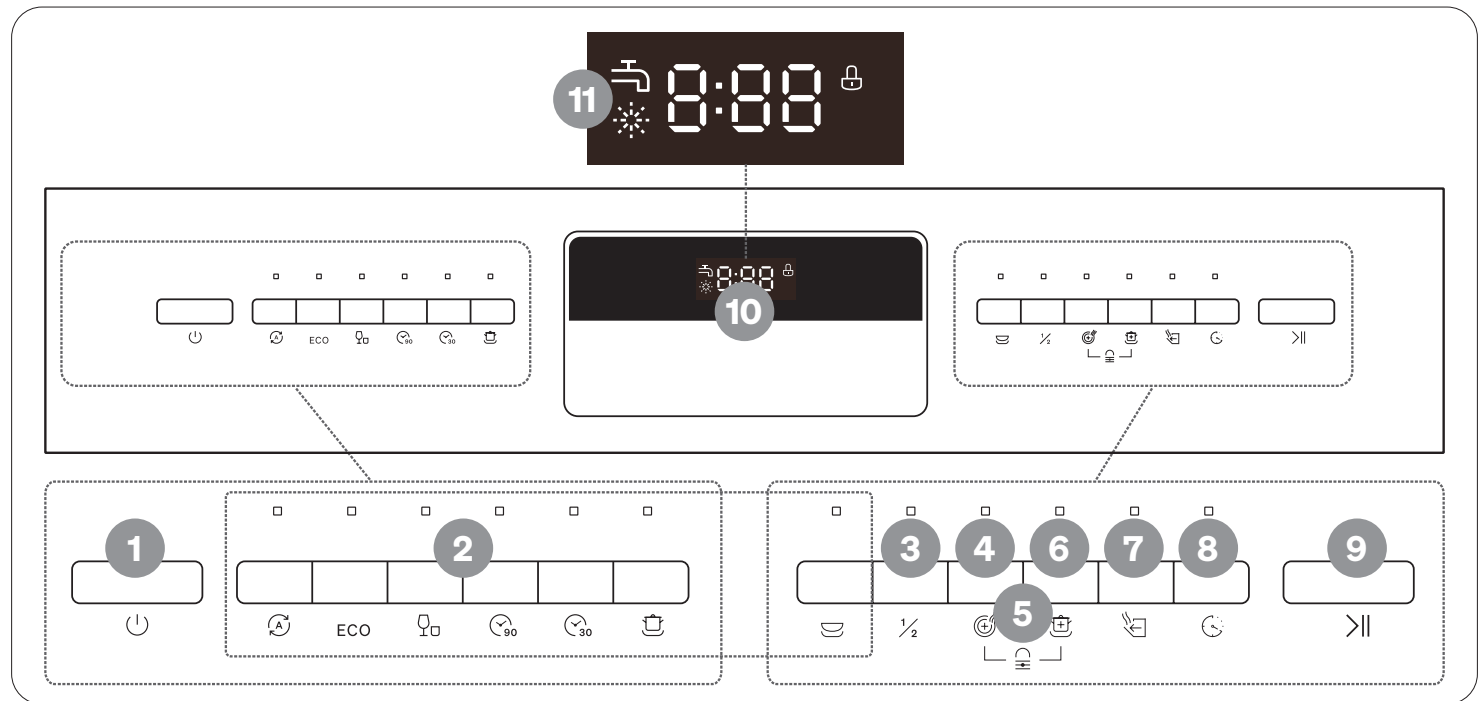


FIGURE 5



Operation Instructions

Control Panel



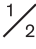










Programs & Additional Functions

Button	Symbol	Description
1 Power		Press this button to turn your dishwasher on or off.
2 Program Cycles		Auto Wash: This auto sensing program adjust the cycle based on water clarity detected by a sensor, employing higher temperature and longer duration for a heavily soiled load and lower temperature and shorter duration for lightly soiled load.
	ECO	ECO: This program is for normally soiled loads at rated capacity.
		Glass: Suitable for lightly soiled delicate glassware.
		90 min: A fast 90 minute daily program for lightly soiled dishes.
		Rapid: A quick 30 minute wash suitable for lightly soiled dishes. This program does not include a drying stage.
		Intensive: For heaviest soiled crockery, such as pots, pans, casserole dishes and dishes that have been sitting with dried food on them for some time.
		Heavy: For heavily soiled loads, such as pots, plates, glasses and lightly soiled pans.

NOTE: The diagram images in this user manual are for explanatory purposes only. Your appliance may appear differently.

Operation Instructions (Continued)







Programs & Additional Functions

Button	Symbol	Description
3 Half Load Function		When the dishwasher is only at half capacity, you can choose this function to save energy and water. This function is not compatible with the Auto Wash and Rapid program.
4 Extra Dry Function		The rinse cycle will perform at a higher temperature for a better drying result. This function is not compatible with the Auto Wash and Rapid program.
5 Child Lock		When activated, the corresponding indicator will be illuminated and all the buttons on the control panel will be locked, except the Power button. To activate Child Lock, press and hold the Extra Dry & Extra Clean buttons simultaneously for 3 seconds. The LED screen will display the Child Lock indicator when activated. To cancel this function, press and hold the Extra Dry & Extra Clean buttons simultaneously for 3 seconds. The LED screen will not display the Child Lock indicator when deactivated.
6 Extra Clean		For dishes that are particularly dirty or hard to clean, you can activate the Extra Clean function. This cycle will increase the main wash, rinse and drying times for a better cleaning result. Please note that this function will increase water and energy consumption and this function is not compatible with the Auto Wash and Rapid program.
7 Auto Door Opening		At the end of the program wash cycle, this function will automatically open the dishwasher door achieving better drying results. When activated, the corresponding indicator will be illuminated. This function is not compatible with the Rapid and Intensive programs
8 Delay Start		Press these buttons to increase or decrease the Delay Start time in 1 hour increments up to 24 hours.
9 Start / Pause		To start the selected washing program or pause it when the dishwasher is in operation.
10 LED Screen		The display will show remaining program time, delay time and any error codes.
11 Indicators		Rinse Aid: This indicates that the dishwasher is low on dishwasher rinse aid and requires a refill.
		Water Faucet: This indicates that the water faucet closed.
		Child Lock is activated: This indicates that Child Lock is activated.

Operation Instructions (Continued)

Program Functions Table

The table below shows which programs are best for the levels of food residue on them and how much detergent is needed. It also show various information about the programs.

Program Function	Washing Cycle Steps	Detergent (Prewash/ Main Wash)	Default Time (h:min)	Energy (kWh)	Water Usage (Litres)	Rinse Aid Used in Last Rinse Cycle	Additional Functions
 Auto Wash	Prewash (45° C) Wash (45–70° C) Rinse Rinse Rinse (65–75° C) Drying	5 / 28.75g or 1 Dishwashing Tablet	150	0.91–1.31	11–15	Required	Delay, Half Load, Extra Dry, Extra Clean, Auto Open
ECO <small>*AS/NZS 2007:1</small>	Prewash Wash (47° C) Rinse (44° C) Drying	5 / 28.75g or 1 Dishwashing Tablet	195	0.664	12	Required	Delay, Half Load, Extra Dry, Extra Clean, Auto Open
 Glass	Prewash Wash (42° C) Rinse Rinse (60° C) Drying	5 / 28.75g or 1 Dishwashing Tablet	130	0.75	13	Required	Delay, Half Load, Extra Dry, Extra Clean, Auto Open
 90 min	Wash (70° C) Rinse Rinse (75° C) Drying	— / 33.75g or 1 Dishwashing Tablet	90	1.15	12.5	Required	Delay, Half Load, Extra Dry, Extra Clean, Auto Open
 Rapid	Wash (45° C) Rinse (55° C) Rinse (55° C)	— / 20g	30	0.71	11	—	Delay
 Intensive	Prewash (50° C) Wash (70° C) Rinse Rinse Rinse (75° C) Drying	5 / 28.75g or 1 Dishwashing Tablet	151	1.71	17.5	Required	Delay, Half Load, Extra Dry, Extra Clean
 Heavy	Prewash (45° C) Wash (70° C) Rinse Rinse (75° C) Drying	5 / 28.75g or 1 Dishwashing Tablet	154	1.61	13.5	Required	Delay, Half Load, Extra Dry, Extra Clean

*AS/NZS 2007:1: This program is the test cycle. The information for comparability test in accordance with AS/NZS 2007:1.

NOTE: The parameters in this table are only for user's reference.

The actual parameters may differ slightly with the parameters in above mentioned table

Operation Instructions (Continued)

Information for comparability tests in accordance with (*AS/NZS 2007.1)

Capacity: 15 place settings

Position of the upper basket: lower position

Program: ECO

Rinse aid setting: 5

Detergent (Pre/main): 5g/28.7g

Door is open at the end of the drying cycle for the drying performance test. (Door position: Open 100 mm)

Energy Conservation Guidelines

- Pre-rinsing tableware items is not recommended as it contributes to heightened water and energy consumption.
- Utilising a household dishwasher in accordance with the provided instructions typically results in lower energy and water consumption during the use phase compared to hand dishwashing.

Starting a Wash Cycle

1. Draw out the lower and upper basket, load the dishes and push them back. It is recommended to load the lower basket first, then the upper one.
2. Add the detergent.
3. Insert the plug into the socket. The Power supply refer to the Product Specifications table on page 07.
4. Ensure that the water supply is turned on to full pressure.
5. Close the door and press the Power button to switch on the machine.
6. Select a program and the corresponding indicator light will illuminate. Then press the Start/Pause button, the dishwasher will start its cycle.

Changing the Program Mid-Cycle

A wash cycle can only be changed if it has been running for a short time otherwise, the detergent may have already been released and the dishwasher may have already drained the wash water. If this is the case, the dishwasher needs to be reset and the detergent dispenser must be refilled. To reset the dishwasher, follow the instructions below:

1. Press the Start/Pause button to pause the washing.
2. Press program button for more than 3 seconds. The program will cancel.
3. Press the program button to select the desired program.
4. Press the Start/Pause button, after 10 seconds, the dishwasher will start.

Adding a Dish Mid-Cycle

A forgotten dish can be added any time before the detergent dispenser opens. If this is the case, follow the instructions below:

- Press the Start/Pause button to pause the washing.
- Wait 5 seconds then open the door.
- Add the forgotten dishes.
- Close the door.
- Press the Start/Pause button after 10 seconds, the dishwasher will start.

WARNING: It is dangerous to open the door mid-cycle, as hot steam may scald you.



Preparing & Loading Dishes

Washing Considerations

- Consider buying utensils which are identified as dishwasher-proof.
- For delicate items, select a program with the lowest possible temperature.
- To prevent damage, do not take glass and cutlery out of the dishwasher immediately after the program has ended.

Cutlery & Dishware Suitability

The following are not suitable

- Cutlery with wooden, horn china or mother-of-pearl handles
- Plastic items that are not heat resistant
- Older cutlery with glued parts that are not temperature resistant
- Bonded cutlery items or dishes
- Pewter or cooper items
- Crystal glass
- Steel items subject to rusting
- Wooden platters
- Items made from synthetic fibers

The following are of limited suitability

- Some types of glasses can become dull after a large number of washes
- Silver and aluminum parts have a tendency to discolour during washing
- Glazed patterns may fade if machine washed frequently

Removing the dishes

To prevent water dripping from the upper basket into the lower basket, we recommend that you empty the lower basket first, followed by the upper basket.

WARNING: Items will be hot! To prevent damage, do not take glass and cutlery out of the dishwasher for around 15 minutes after the program has ended.



Loading Recommendations

Scrape off any large amounts of leftover food. Soften remnants of burnt food in pans. It is not necessary to rinse the dishes under running water.

For best performance of the dishwasher, follow these loading guidelines:

- Items such as cups, glasses, pots/pans, etc. are faced downwards.
- Curved items, or ones with recesses, should be loaded aslant so that water can run off.
- All utensils are stacked securely and can not tip over.
- All utensils are placed in the way that the spray arms can rotate freely during washing.
- Load hollow items such as cups, glasses, pans etc. With the opening facing downwards so that water cannot collect in the container or a deep base.
- Dishes and items of cutlery must not lie inside one another, or cover each other.
- To avoid damage, glasses should not touch one another.
- The upper basket is designed to hold more delicate and lighter dishware such as glasses, coffee and tea cups.
- Long bladed knives stored in an upright position are a potential hazard!
- Long and sharp items of cutlery such as carving knives must be positioned horizontally in the upper basket.
- Please do not overload your dishwasher. This is important for good results and for reasonable consumption of energy.

NOTE: Very small items should not be washed in the dishwasher as they could easily fall out of the basket.

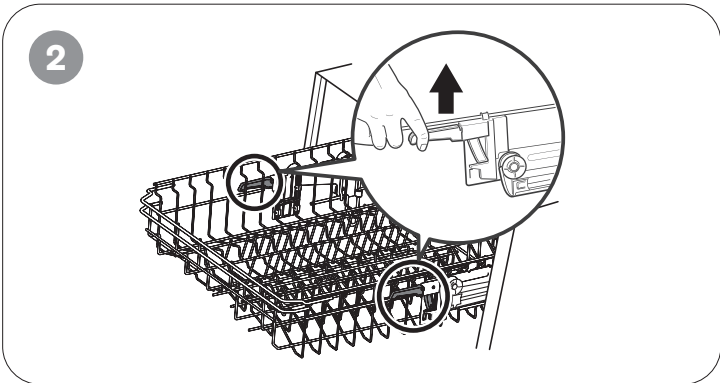
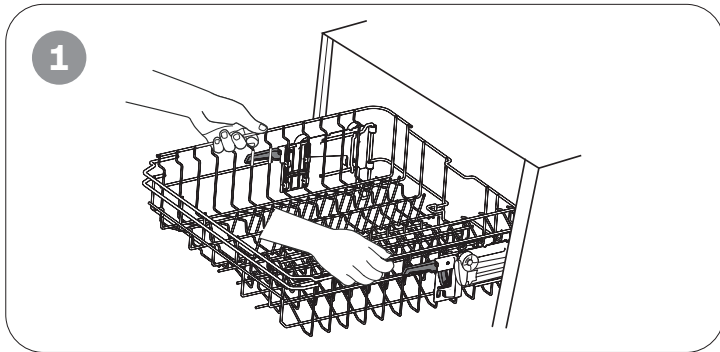
Preparing & Loading Dishes (Continued)

Adjusting the Upper Basket Height

Method 1

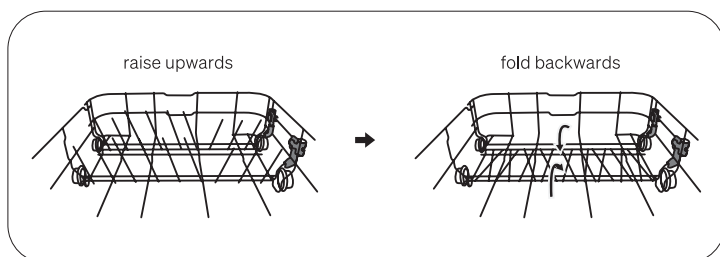
The height of the upper basket can be easily adjusted to accommodate taller dishes in either the upper or lower basket by following these steps:

1. To raise the upper basket, just lift the upper basket at the center of each side until the basket locks into place in the upper position. It is not necessary to lift the adjuster handle.
2. To lower the upper basket lift the adjust handles on each side to release the basket and lower it to the lower position.



Folding Back the Lower Basket Pronges

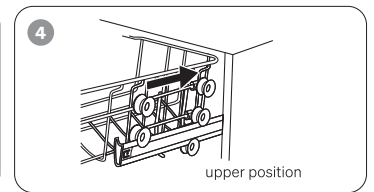
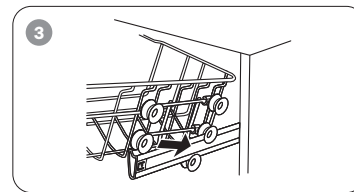
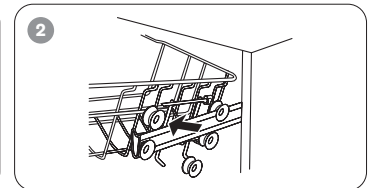
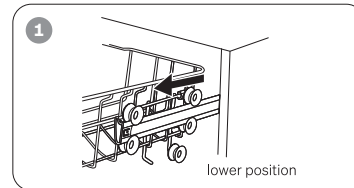
The pronges on the lower basket are used for holding plates and platters. They can be lowered to make more room for large items such as pots and pans.



Adjusting the Upper Basket Height

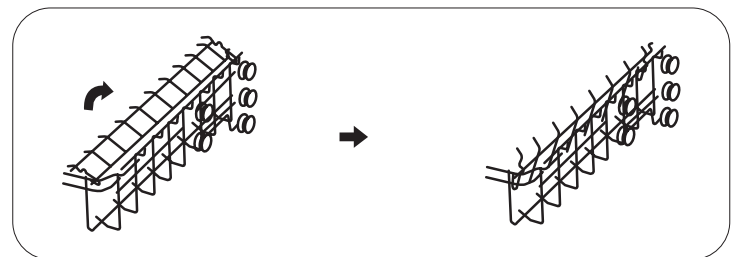
Method 2

1. Pull out the upper basket.
2. Remove the upper basket.
3. Re-attach the upper basket to upper or lower rollers.
4. Push in the upper basket.



Folding the Cup Shelves Back

To make room for taller items in the upper basket, raise the cup rack upwards. You can then lean the tall glasses against it. You can also remove it when it is not required for use.



Preparing & Loading Dishes (Continued)

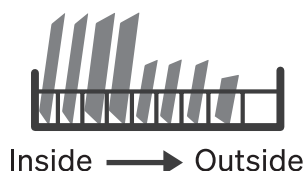
Loading Recommendations

For the best washing results, please load the baskets according to AS/NZS 2007:1 demonstrated in this section.

Loading the Lower Basket

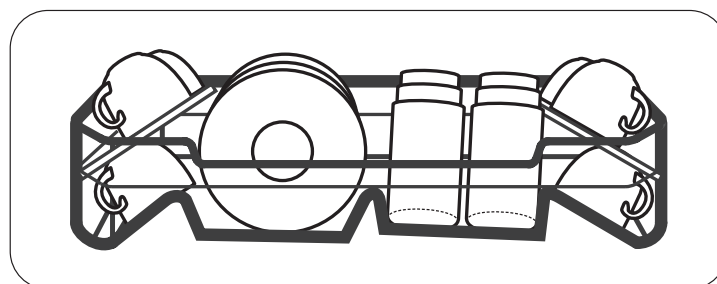
We suggest that you place large and difficult to clean items into the lower basket: such as pots, pans, lids, serving dishes and bowls, as shown in the figure below. It is preferable to place serving dishes and lids on the side of the racks in order to avoid blocking the rotation of the top spray arm.

The maximum diameter advised for plates in front of the detergent dispenser is of 19 cm, this not to hamper the opening of it.



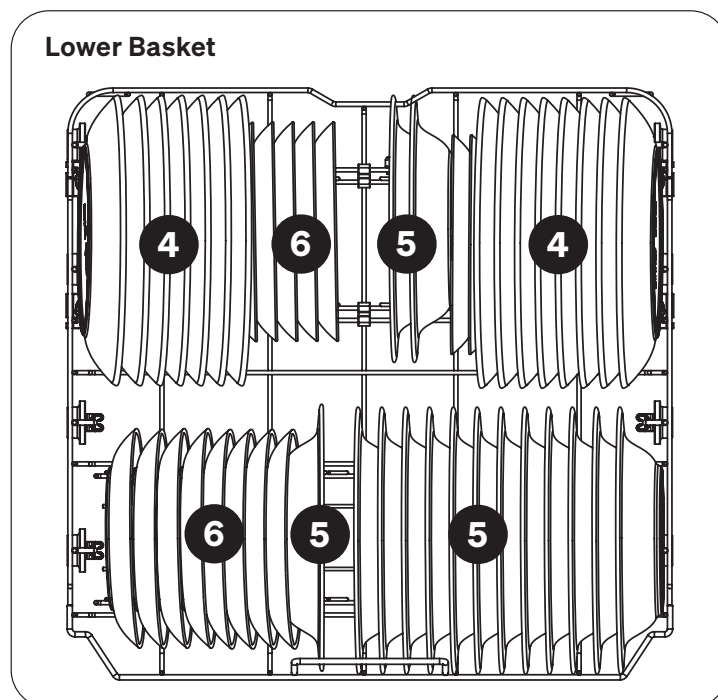
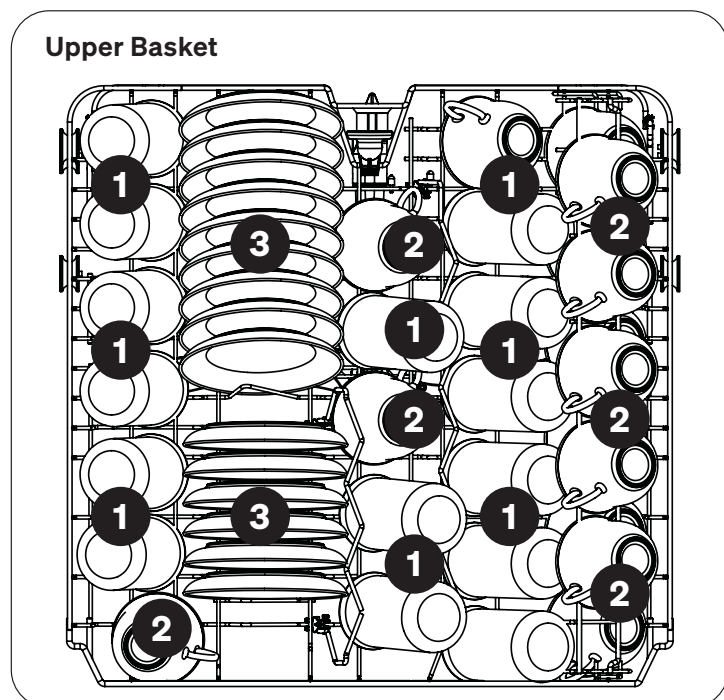
Loading the Upper Basket

The upper basket is designed to hold more delicate and lighter dishware such as glasses, coffee and tea cups and saucers, as well as plates, small bowls and shallow pans (as long as they are not too dirty). Position the dishes and cookware so that they will not get moved by the spray of water.



Key

- | | | |
|------------|------------------|-------------------|
| 1. Glasses | 3. Saucers | 5. Soup Bowls |
| 2. Cups | 4. Dinner Plates | 6. Dessert Plates |



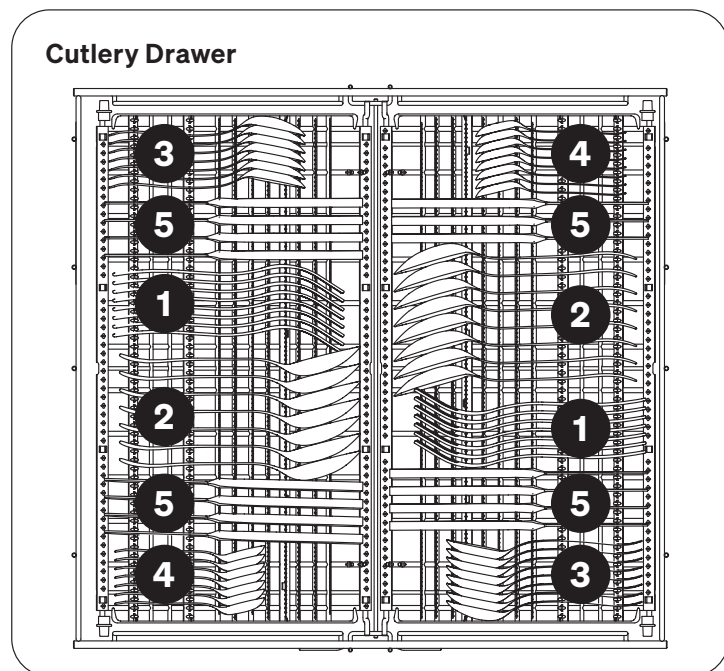
Preparing & Loading Dishes (Continued)

Loading the Cutlery Drawer

Cutlery should be placed in the cutlery rack separate from each other in the appropriate positions. Avoid nesting of the cutlery to prevent insufficient cleaning performance.

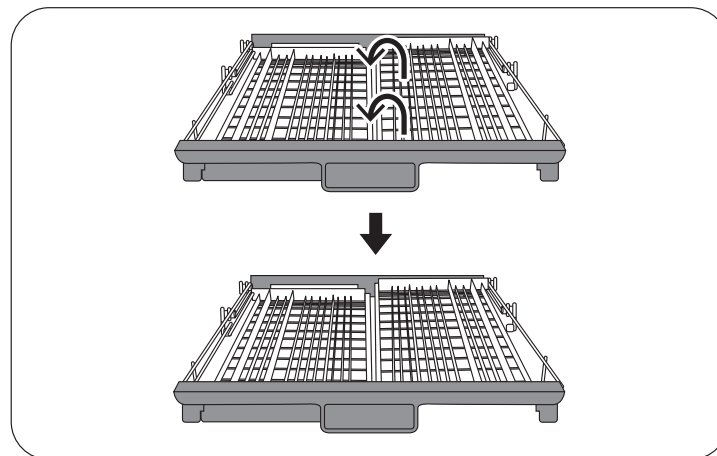
Key

- | | |
|-------------------|--------------|
| 1. Forks | 4. Teaspoons |
| 2. Soup Spoons | 5. Knives |
| 3. Dessert Spoons | |

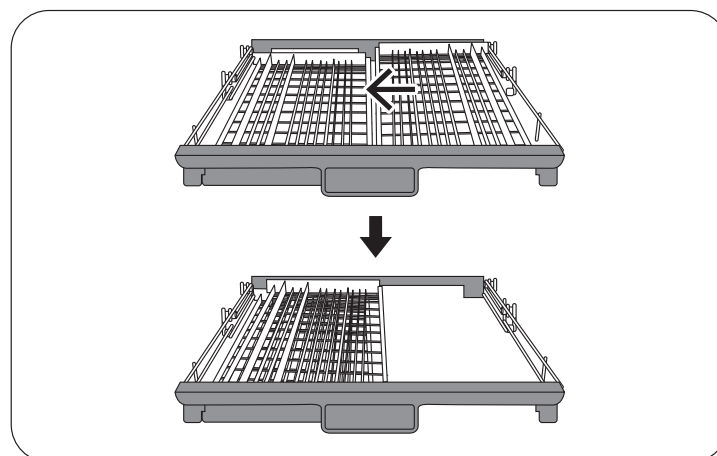


Cutlery Drawer Options

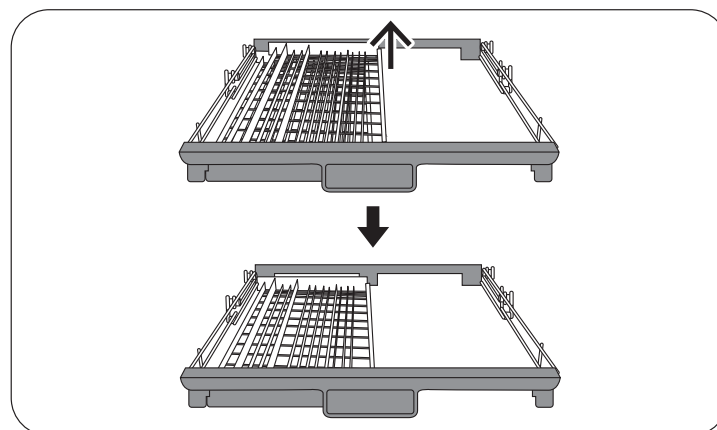
1. You can lift the right side of the cutlery drawer up so both left and right sides are flat.



2. You can move the right side to the left side so both sides are overlapping.



3. You can remove the right basket from the drawer, to allow room for taller items in the upper basket



Rinse Aid & Detergent

Function of the Rinse Aid & Detergent

The rinse aid is released during the final rinse to prevent water from forming droplets on your dishes, which can leave spots and streaks. It also improves drying by allowing water to roll off the dishes. Your dishwasher is designed to use liquid rinse aids.

WARNING: Only use branded rinse aid for dishwasher. Never fill the rinse aid dispenser with any other substances (e.g. Dishwasher cleaning agent, liquid detergent). This would damage the appliance.

When to refill the rinse aid

The regularity of the dispenser needing to be refilled depends on how often dishes are washed and the rinse aid setting used.

- The Low Rinse Aid indicator (*) will appear in the display when more rinse aid is needed.
- Do not overfill the rinse aid dispenser.

Function of detergent

The chemical ingredients that compose the detergent are necessary to remove, crush and dispense all dirt out of the dishwasher. Most of the commercial quality detergents are suitable for this purpose.

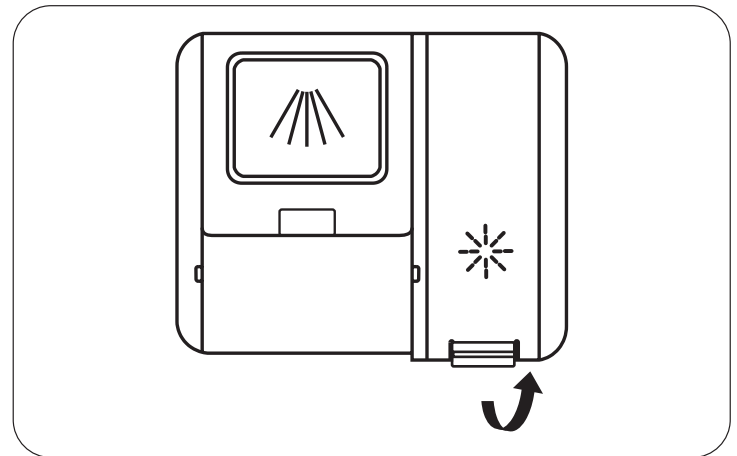
WARNING: Proper Use of Detergent

- Use only detergent specifically made for dishwashers use. Keep your detergent fresh and dry.
- Don't put powdered detergent into the dispenser until you are ready to wash dishes.
- Dishwasher detergent is corrosive! Keep dishwasher detergent out of the reach of children

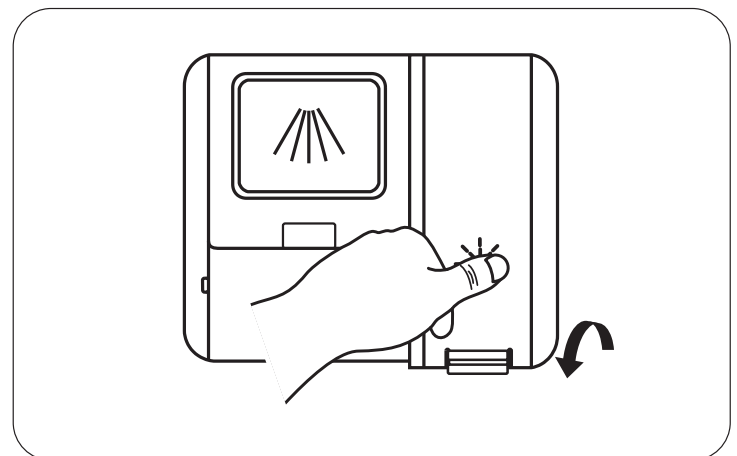


Filling The Rinse Aid Compartment

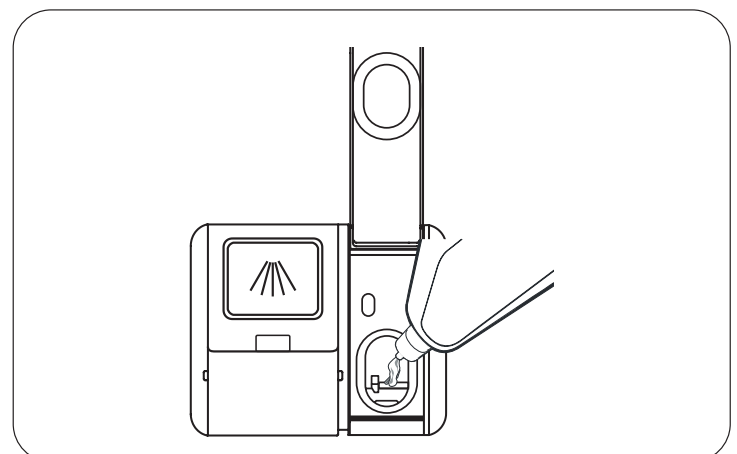
1. Remove the rinse aid compartment cap by lifting up the handle.



2. Pour the rinse aid into the dispenser, being careful not to overfill.



3. Close the cap when done.



Rinse Aid & Detergent (Continued)

Adjusting the rinse aid compartment

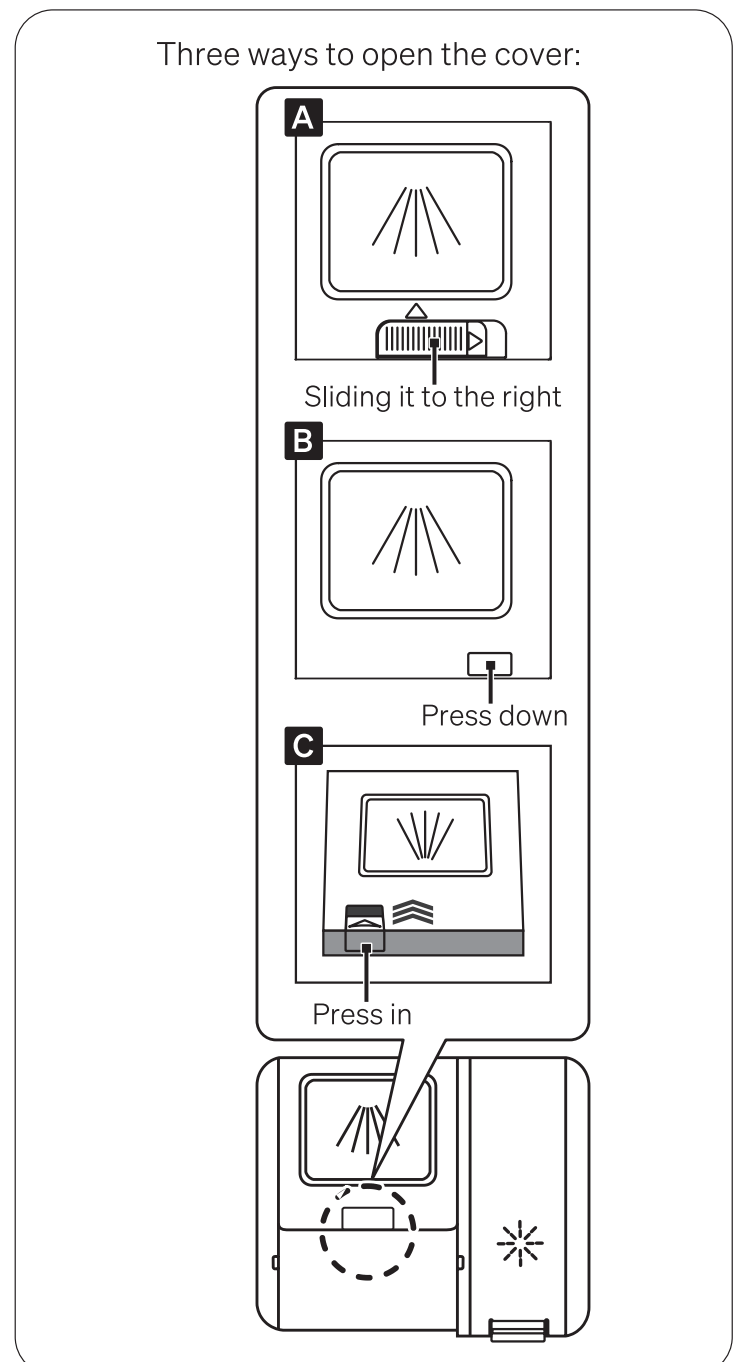
To achieve a better drying performance with limited rinse aid, the dishwasher is designed to adjust the consumption by user. Follow the below steps:

1. Close the door and switch on the appliance.
2. Within 60 seconds after the appliance is switched on, press the ">" button for more than 5 seconds. Then press the ">" button to enter the set model. The rinse aid indicator will then blink.
3. Press the ">" button again to select the proper set according to your usage habits. The settings will change in the following sequence: d3, d4, d5, d1, d2, d3. The higher the number, the more rinse aid the dishwasher will use.
4. Without operation in 5 seconds or press the Power button to complete the setup and exit the settings mode.

Filling The Detergent Dispenser

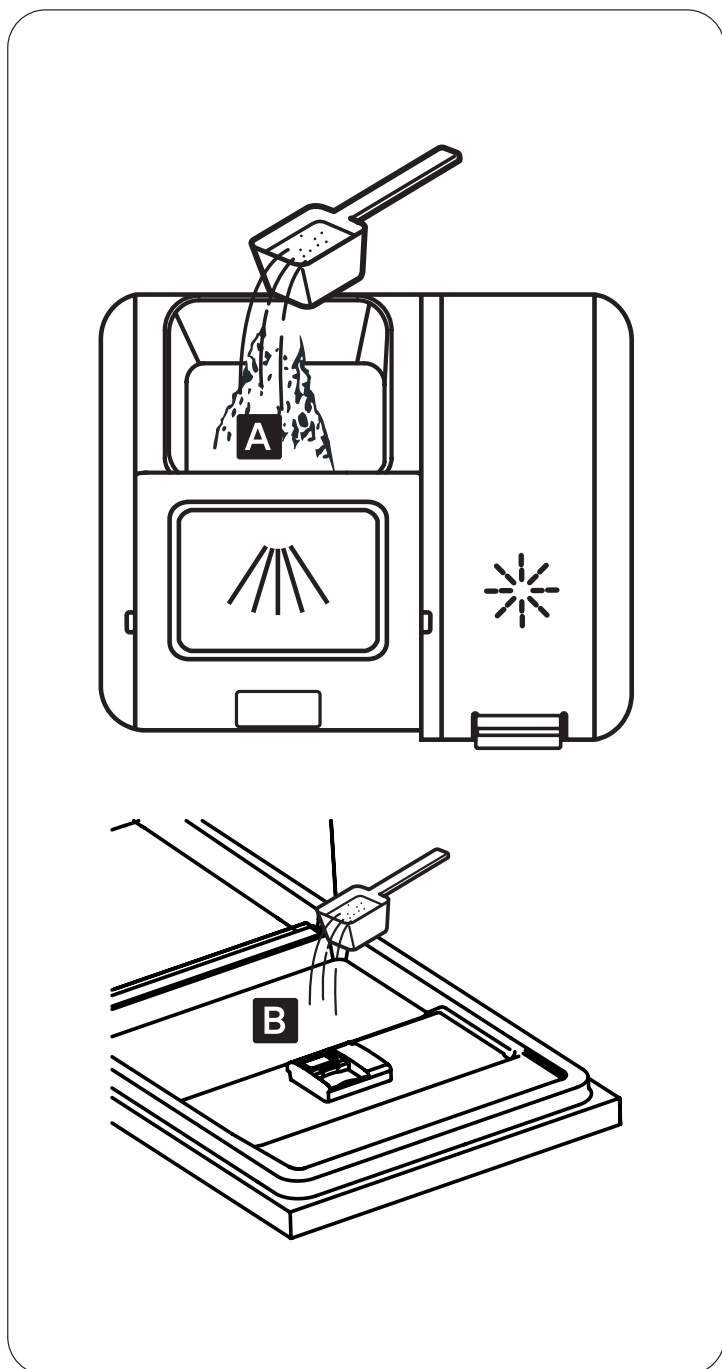
STEP 1: Please choose an opening according to your dishwasher setup and requirements.

- A. Open the cap by sliding the release catch.
- B. Open the cap by pressing down the release catch.
- C. Open the cap by pressing the release latch.

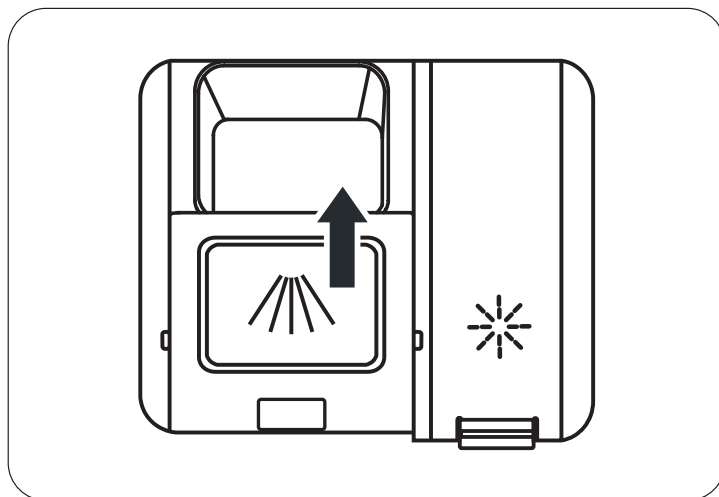


Rinse Aid & Detergent (Continued)

STEP 2: Add detergent into the larger cavity (A) for the main wash cycle. For better cleaning results, particularly if you have very dirty items, pour a small amount of detergent onto the door. The additional detergent will activate during the pre-wash phase.



STEP 3: Close the flap by sliding it to the front and then pressing it down.



NOTE

- Be aware that depending on the soiling of water, setting may be different.
- Please observe the manufacturer's recommendations on the detergent packaging.

Cleaning & Maintenance

External Care

The door and the door seal

Clean the door seals regularly with a soft damp cloth to remove food deposits. When the dishwasher is being loaded, food and drink residues may drip onto the sides of the dishwasher door. These surfaces are outside the wash cabinet and are not accessed by water from the spray arms. Any deposits should be wiped off before the door is closed.

The control panel

If cleaning is required, the control panel should be wiped with a soft damp cloth only.

WARNING:

- To avoid penetration of water into the door lock and electrical components, do not use a spray cleaner of any kind.
- Never use abrasive cleaners or scouring pads on the outer surfaces because they may scratch the finish. Some paper towels may also scratch or leave marks on the surface.

Internal Care

Filtering System

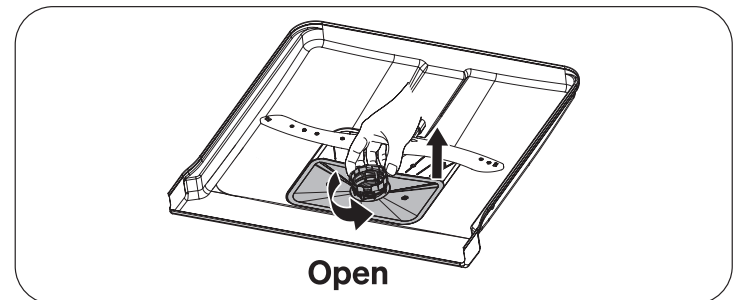
The filtering system in the base of the wash cabinet retains coarse debris from the washing cycle. The collected coarse debris may cause the filters to clog. Check the condition of the filters regularly and clean them if necessary under running water. Refer to the following steps to clean the filters in the wash cabinet.

NOTE: Diagrams and pictures in this manual are only for reference, the filtering system and spray arms may appear differently.

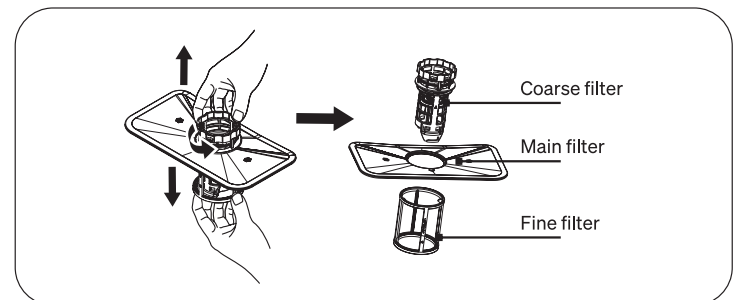
WARNING:

- Do not over tighten the filters. Put the filters back in sequence securely, otherwise coarse debris could get into the system and cause a blockage.
- Never use the dishwasher without filters in place. Improper replacement of the filter may reduce the performance level of the appliance and damage dishes and utensils.

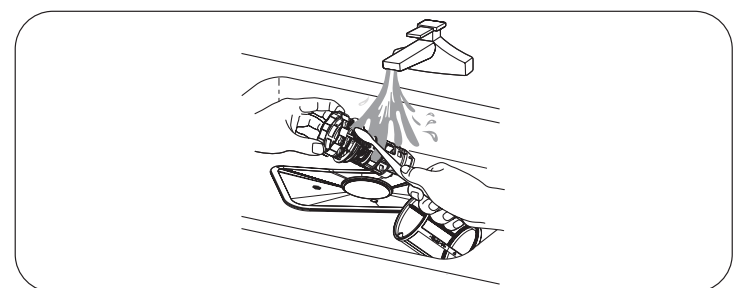
1. Hold the coarse filter and rotate it anticlockwise to unlock the filter. Lift the filter upwards and out of the dishwasher.



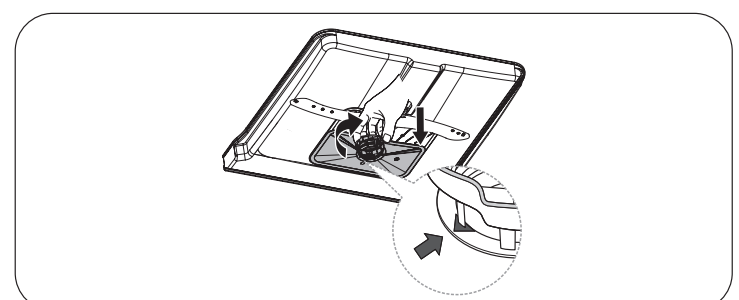
2. The fine filter can be pulled off the bottom of the filter assembly. The coarse filter can be detached from the main filter by gently squeezing the tabs at the top and pulling it away.



3. Larger food remnants can be cleaned by rinsing the filter under running water. For a more thorough clean, use a soft cleaning brush.



4. Reassemble the filters in the reverse order of the disassembly, replace the filter insert, and rotate clockwise to the close arrow.

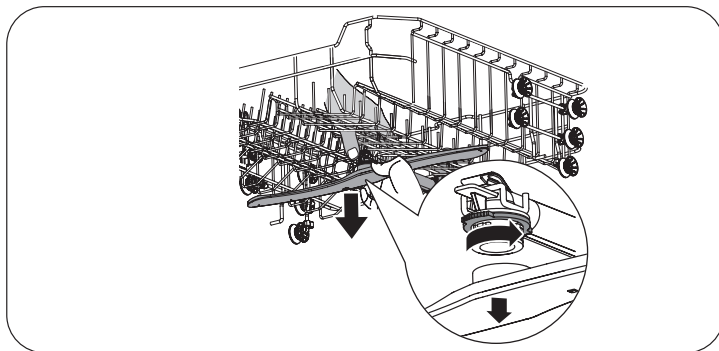


Cleaning & Maintenance (Continued)

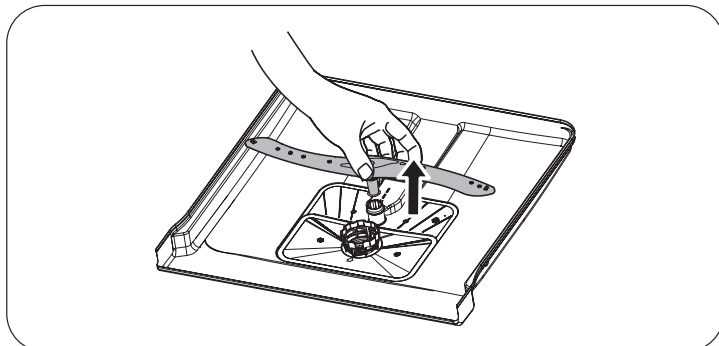
Spray arms

It is necessary to clean the spray arms regularly for hard water chemicals will clog the spray arm jets and bearings. To clean the spray arms, follow the instructions below:

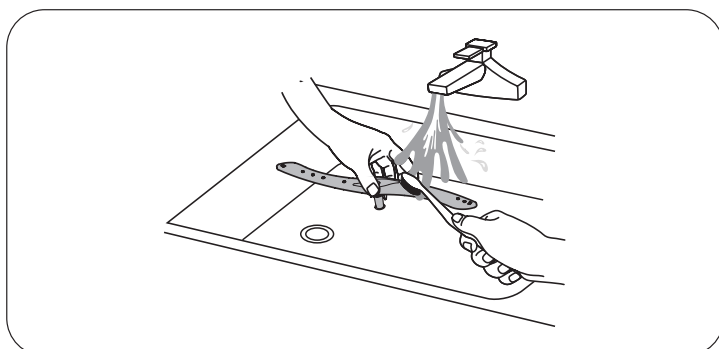
1. To remove the upper spray arm, hold the nut in the center still and rotate the spray arm counterclockwise to remove it.



2. To remove the lower spray arm, pull out the spray arm upward.



3. Wash the arms in soapy and warm water and use a soft brush to clean the jets. Replace them after rinsing them thoroughly.



Caring For The Dishwasher

Frost precaution

Please take frost protection measures on the dishwasher in winter. Every time after washing cycles, please operate as follows:

1. Cut off the electrical power to the dishwasher at the supply source.
2. Turn off the water supply and disconnect the water inlet pipe from the water valve.
3. Drain the water from the inlet pipe and water valve. (Use a pan to gather the water)
4. Reconnect the water inlet pipe to the water valve.
5. Remove the filter at the bottom of the tub and use a sponge to soak up water in the sump.

After every wash

After every wash, turn off the water supply to the appliance and leave the door slightly open so that moisture and odors are not trapped inside.

Remove the plug

Before cleaning or performing maintenance, always remove the plug from the socket..

No solvents or abrasive cleaning

To clean the exterior and rubber parts of the dishwasher, do not use solvents or abrasive cleaning products. Only use a cloth with warm soapy water. To remove spots or stains from the surface of the interior, use a cloth dampened with water and a little vinegar, or a cleaning product made specifically for dishwashers.

After prolonged inactivity

It is recommended that you run a wash cycle with the dishwasher empty and then remove the plug from the socket, turn off the water supply and leave the door of the appliance slightly open. This will help the door seals to last longer and prevent odours from forming within the appliance

Moving the appliance

If the appliance must be moved, try to keep it vertical. If absolutely necessary, it can be positioned on its back.

Seals

Food can remain trapped in the seals which can cause odours. Periodic cleaning with a damp sponge will prevent this from occurring.

Troubleshooting

Operation in case of emergency

In the event of an emergency you should:

- Switch off the appliance using the Power button
- Switch the appliance off at the power outlet and immediately unplug.
- Call the Customer Service team on 1300 11 4357 or email support@residentiagroup.com.au

Some minor faults can be fixed by referring to the instructions given in this Troubleshooting section. There is also a self-help section online at <https://support.residentiagroup.com.au>

IMPORTANT: If your appliance appears to be operating incorrectly, then you should disconnect it from your electrical supply and then contact After Sales Support.

WARNING:

- Do not attempt to repair the appliance yourself.
- If overflow occurs, turn off the main water supply before calling a service.
- If there is water in the base pan because of an overflow or small leak, the water should be removed before restarting the dishwasher.

Please note that if a technician is asked to attend whilst the product is under warranty and finds that the problem is not the result of an appliance fault, then you may be liable for the cost of the call out charge.

The appliance must be accessible for the engineer to perform any necessary repair.

If your appliance is installed in such a way that an engineer is concerned that damage will be caused to the appliance or your kitchen, then they will not complete a repair. This includes situations where the rangehood has been tiled in or sealed in with a sealant.

Please refer to the conditions of that appear on the warranty card at the rear of this user manual.

Error Codes

Code	Possible Cause	Solution
E1	Long inlet time.	Faucets may not be open, the water intake is restricted or the water pressure is too low.
E3	Not reaching required temperature.	Heating element could be malfunctioning.
E4	Overflow.	Some element of the dishwasher is leaking.
E8	Failure of orientation of distributary valve.	Open circuit or break of distributary valve.
Ed	Main circuit board and display circuit board are failing to communicate.	Open circuit or break wiring for communication.

Troubleshooting (Continued)

Problem	Possible Cause	Solution
Dishwasher doesn't start	Fuse blown, or the circuit break tripped	Replace fuse or reset circuit breaker. Remove any other appliances sharing the same circuit with the dishwasher.
	Power supply is not turned on	Make sure the dishwasher is turned on and the door is closed securely. Make sure the power cord is properly plugged into the wall socket.
	Water pressure is low	Check that the water supply is connected properly and the water is turned on
	Door of dishwasher not properly closed	Make sure to close the door properly and latch it.
Water not pumped from dishwasher	Twisted or trapped drain hose	Check the drain hose.
	Filter clogged	Check coarse the filter.
	Kitchen sink clogged	Check the kitchen sink to make sure it is draining well. If the problem is the kitchen sink that is not draining, you may require a plumber than an appliance repairer.
Suds in the tub	Wrong detergent	Use only the special dishwasher detergent to avoid suds. If this occurs, open the dishwasher and let suds evaporate. Add 3.78L (1 gallon) of cold water to the bottom of the dishwasher. Close the dishwasher door, then select any cycle. Initially, the dishwasher will drain out the water. Open the door after draining stage is complete and check if the suds have disappeared. Repeat if necessary.
	Spilled rinse-aid	Always wipe up rinse-aid spills immediately.
Stained tub interior	Detergent with colourant may have been used	Make sure that the detergent has no colourant.
White film on inside surface	Hard water minerals	To clean the interior, use a damp sponge with dishwasher detergent and wear rubber gloves. Never use any other cleaner than dishwasher detergent otherwise, it may cause foaming or suds.
There are rust stains on cutlery	The affected items are not corrosion resistant.	The items should be corrosion resistant.

Troubleshooting (Continued)

Problem	Possible Cause	Solution
Knocking or rattling noise in the dishwasher	A spray arm is knocking against an item or items of crockery are loose	Interrupt the program and rearrange the items obstructing the spray arm.
Knocking noise in the water pipes	This may be caused by on-site installation or the cross-section of the piping.	This has no influence on the dishwasher function. If in doubt, contact a qualified plumber.
The dishes are not clean	The dishes were not loaded correctly	See the "Preparing & Loading Dishes" section, pages 17–20.
	The program was not powerful enough	Select a more intensive program.
	Not enough detergent was dispensed	Use more detergent, or change your detergent.
	Items are blocking the movement of the spray arms.	Rearrange the items so that the spray can rotate freely.
	The filter combination is not clean or is not correctly fitted in the base of wash cabinet. This may cause the spray arm jets to get blocked	Clean and/or fit the filter correctly. Clean the spray arm jets.
Cloudiness on glassware.	Combination of soft water and too much detergent used	Use less detergent if you have softwater and select a shorter cycle to wash the glassware and to get them clean.
Black or grey marks on dishes	Aluminium utensils have rubbed against dishes	Use a mild abrasive cleaner to eliminate those marks.
Detergent left in dispenser	Dishes block detergent dispenser	Reload the dishes properly.
The dishes aren't drying	Improper loading	Load the dishwasher as suggested in the "Preparing & Loading Dishes" section, pages 17–20.
	Too little rinse-aid	Increase the amount of rinse-aid or refill the rinse-aid dispenser.
	Dishes are removed too soon	Do not empty your dishwasher immediately after washing. Open the door slightly so that the steam can come out. Take out the dishes until the inside temperature is safe to touch.
	Wrong program has been selected.	With a short program, the washing temperature is lower, decreasing cleaning performance. Choose a program with a long washing time.
	Use of cutlery with a low-quality coating	Cutlery or dishes of this type are not suitable for washing in the dishwasher.

Purchase Details

For future reference, please record the following information which can be found on the rating plate and the date of purchase which can be found on your sales invoice.

STORE DETAILS

Store Name		
Address		
Telephone		Purchase Date

PRODUCT DETAILS

Model No.		
Serial No.*		

Attach Your Receipt Here



Warranty Information

WARRANTY TERMS AND CONDITIONS DISHWASHERS

This document sets out the terms and conditions of the product warranties for Residentia Group Appliances. It is an important document. Please keep it with your proof of purchase documents in a safe place for future reference should you require service for your Appliance.

1. IN THIS WARRANTY

- (a) 'acceptable quality' as referred to in clause 10 of this warranty has the same meaning referred to in the ACL;
 - (b) 'ACL' means Trade Practices Amendment (Australian Consumer Law) Act (No.2) 2010;
 - (c) 'Appliance' means any Residentia Group product purchased by you accompanied by this document;
 - (d) 'ASR' means Residentia Group authorised service representative;
 - (e) 'Residentia Group' means Residentia Group Pty Ltd of 165 Barkly Ave, Burnley VIC 3121, ACN 600 546 656 in respect of Appliances purchased in Australia;
 - (f) 'major failure' as referred to in clause 10 of this warranty has the same meaning referred to in the ACL and includes a situation when an Appliance cannot be repaired or it is uneconomic for Residentia Group, at its discretion, to repair an Appliance during the Warranty Period;
 - (g) 'Warranty Period' means:
 - (i) where the Appliance is used for personal, domestic or household use (i.e. normal single family use) as set out in the instruction manual, the Appliance is warranted against manufacturing defects for 36 months, following the date of original purchase of the Appliance;
 - (h) 'you' means the purchaser of the Appliance not having purchased the Appliance for re-sale, and 'your' has a corresponding meaning.
2. This warranty only applies to Appliances purchased and used in Australia and is in addition to (and does not exclude, restrict, or modify in any way) any non-excludable statutory warranties in Australia.
 3. During the Warranty Period Residentia Group or its ASR will, at no extra charge if your Appliance is readily accessible for service, without special equipment and subject to these terms and conditions, repair or replace any parts which it considers to be defective. Residentia Group or its ASR may use remanufactured parts to repair your Appliance. You agree that any replaced Appliances or parts become the property of Residentia Group. This warranty does not apply to light globes, batteries, seals, filters or similar perishable parts.
 4. Parts and Appliances not supplied by Residentia Group are not covered by this warranty.

Warranty Information (Continued)

5. You will bear the cost of transportation, travel and delivery of the Appliance to and from Residentia Group or its ASR. If you reside outside of the service area, you will bear the cost of:
 - (a) travel of an authorised representative;
 - (b) transportation and delivery of the Appliance to and from Residentia Group or its ASR, in all instances, unless the Appliance is transported by Residentia Group or its ASR, the Appliance is transported at the owner's cost and risk while in transit to and from Residentia Group or its ASR.
6. Proof of purchase is required before you can make a claim under this warranty.
7. You may not make a claim under this warranty unless the defect claimed is due to faulty or defective parts or workmanship. Residentia Group is not liable in the following situations (which are not exhaustive):
 - (a) the Appliance is damaged by:
 - (i) accident
 - (ii) misuse or abuse, including failure to properly maintain or service
 - (iii) normal wear and tear
 - (iv) power surges, electrical storm damage or incorrect power supply
 - (v) incomplete or improper installation
 - (vi) incorrect, improper or inappropriate operation
 - (vii) insect or vermin infestation
 - (viii) failure to comply with any additional instructions supplied with the Appliance;
 - (b) the Appliance is modified without authority from Residentia Group in writing;
 - (c) the Appliance's serial number or warranty seal has been removed or defaced;
 - (d) the Appliance was serviced or repaired by anyone other than Residentia Group, an authorised repairer or ASR.
8. This warranty, the contract to which it relates and the relationship between you and Residentia Group are governed by the law applicable where the Appliance was purchased.
9. To the extent permitted by law, Residentia Group excludes all warranties and liabilities (other than as contained in this document) including liability for any loss or damage whether direct or indirect arising from your purchase, use or non use of the Appliance.
10. For Appliances and services provided by Residentia Group in Australia, the Appliances come with a guarantee by Residentia Group that cannot be excluded under the Australian Consumer Law. You are entitled to a replacement or refund for a major failure and for compensation for any other reasonably foreseeable loss or damage. You are also entitled to have the Appliance repaired or replaced if the Appliance fails to be of acceptable quality and the failure does not amount to a major failure. The benefits to you given by this warranty are in addition to your other rights and remedies under a law in relation to the Appliances or services to which the warranty relates.
11. At all times during the Warranty Period, Residentia Group shall, at its discretion, determine whether repair, replacement or refund will apply if an Appliance has a valid warranty claim applicable to it.
12. Missing parts are not covered by warranty. Residentia Group reserves the right to assess each request for missing parts in a case by case basis. Any parts that are not reported missing in the first week after purchase will not provide free of charge.
13. To enquire about claiming under this warranty, please follow these steps:
 - (a) carefully check the operating instructions, user manual and the terms of this warranty;
 - (b) have the model and serial number of the Appliance available;
 - (c) have the proof of purchase (e.g. an invoice) available;
 - (d) telephone the numbers shown below.
14. You accept that if you make a warranty claim, Residentia Group and its ASR may exchange information in relation to you, in order to enable Residentia Group to meet its obligations under this warranty.

IMPORTANT

Before calling for service, please ensure that the steps in point 13 have been followed.

CONTACT SERVICE

→ Please call 1300 11 HELP (4357)

The Australian Consumer Law requires the inclusion of the following statement with this warranty:

Our goods come with guarantees that cannot be excluded under the Australian Consumer Law. You are entitled to a replacement or refund for a major failure and for compensation for any other reasonably foreseeable loss or damage. You are also entitled to have the goods repaired or replaced if the goods fail to be of acceptable quality and the failure does not amount to a major failure.

EST. 1981

Designed to Enhance

omega

Omega is proudly owned, designed and engineered
in Australia by Residentia Group Pty. Ltd.

@residentia.group
www.residentia.group



E2447