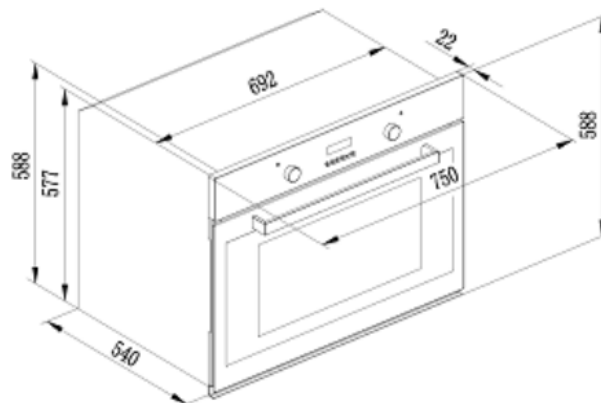




Dimensions/Weight

Overall dimensions (mm): 588(h) x 750(w) x 562(d)
 Cutout dimensions (mm): 586(h) x 710(w) x 550(d)
 Weight: 39.5kg



Technical Details

Style

Oven type:	Standard
Category size:	75cm
Capacity:	78 litres

Functionality

Oven functions:	Fan forced Half Grill Grill Grill with fan assist Lower Element with fan assist Conventional Defrost Light
-----------------	---

Max cooking temperature:	250°C
Clock:	Yes
Display:	White LED Display
Timer:	Fully programmable touch timer

Number of shelf positions:	5
Interior light:	Yes

Features & Accessories

Accessories:	2 x Chrome Wire Shelf 1 x Baking Tray 1 x Telescopic Runner Set
--------------	---

Easy view door:	Yes
Cooling Fan:	Yes
Cool Touch door:	Yes

Installation

Maximum current:	2800 - 3400W
Connection:	220-240V/50Hz
Installation type:	Built in, Hardwired

Warranty:	24 months Parts and Labour
-----------	----------------------------

Aesthetics

Finish:	Black Glass with Dark Inox Trim
Controls:	Knob & Touch Control
Door:	Top Opening, Triple Glazed

Key Features



Programmable Timer

Get precision and have your meal ready to go at your predefined finish time. Great for those who like to set and forget, knowing your cooking won't get burnt.



Multifunction

Multifunction ovens enable you to cook with a combination of heat from the top and bottom elements. This offers more versatility, control and better results when cooking a variety of dishes.

Customer Care

T: 1300 11 4357
 E: sales@residentialgroup.com.au

NB: Drawings are not to scale - they are to assist only.
 WARNING: technical specifications and product sizes can be varied by the manufacturer without notice. Cutouts for appliances should only be by physical product measurements.
 The above information is indicative only.