



## Technical Details

### Style

Oven Type:	Standard
Category Size:	60cm
Capacity:	90 Litres

### Functionality

Oven Functions:	Fan Forced Grill Maxi Grill Conventional Conventional with Fan Assist Defrost
Maximum Temperature:	270°C
Clock:	Yes
Timer:	Fully Programmable
Number of Shelf Positions:	12
Interior Light:	Yes

### Features & Accessories

Accessories:	1 x Chrome Wire Shelf 1 x Shallow Baking Tray 1 x Grill Insert 1 x 80mm Baking Tray
Easy View Door:	Yes

### Installation

Maximum Current:	15amps
Connection:	240V, 50Hz
Installation Type:	Built-In

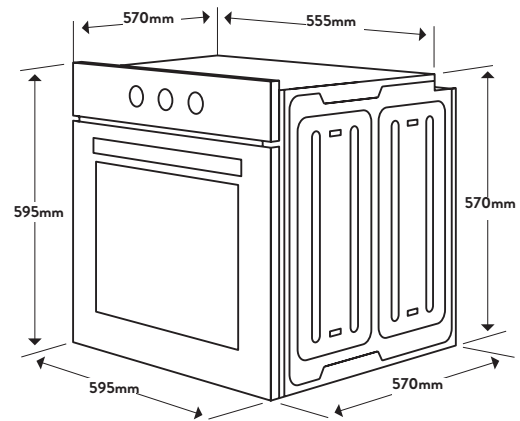
Made In:	Europe
Warranty:	24 Months Parts & Labour

## Customer Care

T: 1300 11 4357  
E: sales@residentiagroup.com.au

## Dimensions/Weight

Overall Dimensions (mm): 595(h) x 595(w) x 570(d)  
Flushmount Cutout Dimensions (mm): 598(h) x 598(w)  
Proudmount Cutout Dimensions (mm): 600(h) x 560(w) x 585(d)  
Weight: 32.1kg



## Aesthetics

Finish:	Black Glass with Dark Inox Trim
Controls:	Knob & Touch Control
Door:	Top Opening, Double Glazed

## Key Features

**90L** **90 Litre Capacity**  
With an 80mm deep baking tray and the large 90L capacity, you can maximise the usage of your oven to accommodate more food.

**12** **12 Rack Positions**  
12 rack/shelf positions inside the oven provides maximum flexibility. You can easily move the shelves to fit more food or place it in a better position for perfect cooking results.

**Multifunction**  
Multifunction ovens enable you to cook with a combination of heat from the top and bottom elements. This offers more versatility, control and better results when cooking a variety of dishes.

NB: Drawings are not to scale - they are to assist only.  
WARNING: technical specifications and product sizes can be varied by the manufacturer without notice. Cutouts for appliances should only be by physical product measurements.  
The above information is indicative only.