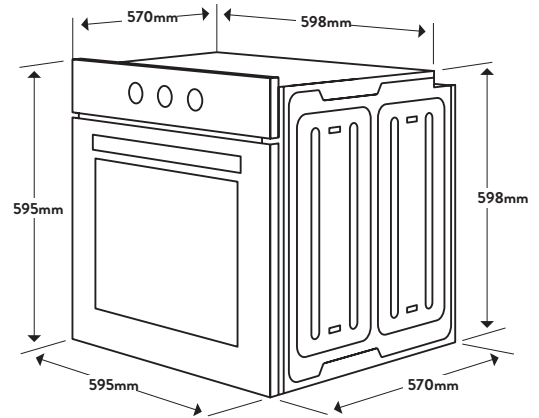




Dimensions/Weight

Overall dimensions (mm): 595(h) x 595(w) x 570(d)
 Flushmount Cutout dimensions (mm): 598(h) x 598(w)
 Proudmount Cutout Dimensions (mm): 600(h) x 560(w) x 585(d)
 Weight: 30.9kg



Technical Details

Style

Oven Type: Standard
 Category Size: 60cm
 Capacity: 90 Litres

Functionality

Oven Functions: Fan Forced
 Grill
 Grill with Fan Assist
 Defrost
 Maximum Temperature: 270°C
 Clock: No
 Timer: Semi-Automatic
 Number of Shelf Positions: 12
 Interior Light: Yes

Features & Accessories

Accessories: 1 x Chrome Wire Shelf
 1 x Shallow Baking Tray
 1 x Grill Insert
 1 x 80mm Baking Tray
 Easy View Door: Yes

Installation

Maximum Current: 10amps
 Includes Plug
 Connection: 240V, 50Hz
 Installation Type: Built-In

Made In: Europe
 Warranty: 24 Months Parts & Labour

Aesthetics

Finish: Black Glass with Stainless Steel Trim
 Controls: Knob Control
 Door: Top Opening, Double Glazed

Key Features

90L

90 Litre Capacity

With an 80mm deep baking tray and the large 90L capacity, you can maximise the usage of your oven to accommodate more food.

12

12 Rack Positions

12 rack/shelf positions inside the oven provides maximum flexibility. You can easily move the shelves to fit more food or place it in a better position for perfect cooking results.



Plug & Play

Designed for easy installation with a 10amp plug to connect straight into the wall means you plug in and start cooking straight away.

Customer Care

T: 1300 11 4357
 E: sales@residentiagroup.com.au

NB: Drawings are not to scale - they are to assist only.
 WARNING: technical specifications and product sizes can be varied by the manufacturer without notice. Cutouts for appliances should only be by physical product measurements.
 The above information is indicative only.