

# 60cm Heat Pump Dryer, 8kg Capacity

## AESTHETICS

Mark Proof White Finish

Tinted Black Glass Door

Remaining time display

Dial & Touch Control

White LED Display

## FUNCTIONALITY

Dry Capacity: 8kg

14 × Drying Programs

Reverse Tumbling

Electronic Autosensing Drying

Custom 'Personalised' Program

Hygienic UV Light Sterilisation

Internal Drum Light

24hr Delay Start

Anti-Crease Option

Adjustable Dryness Level

Galvanized Steel Plate Drum

## PROGRAMS

1. Personalised

8. 1 Shirt

2. Cotton

9. 5 Shirts

3. Cotton Extra

10. Wool

4. Synthetic

11. Bed Linen

5. Mix

12. Refresh

6. Baby

13. Time Dry

7. Sportswear

14. Hygiene

## ENERGY EFFICIENCY

MEPS: 7 Stars

## SAFETY

Child Lock Safety

Fault Check Display

## INSTALLATION

Freestanding Installation

Adjustable Feet

## PRODUCT SIZE W/D/H (MM)

Packaged: 670 × 615 × 865

Physical: 595 × 600 × 845

## WEIGHT (KG)

Net: 41

Gross: 45

## POWER REQUIREMENTS

Power Connection 10 Amp, Plug

Power Cord Length 1.5m

Rated Voltage 220–240V~

Rated Frequency 50Hz

Rated Power 800W

## ADDITIONAL DETAILS

Grade of Waterproof IPX4

Refrigerant Type R290, 120g

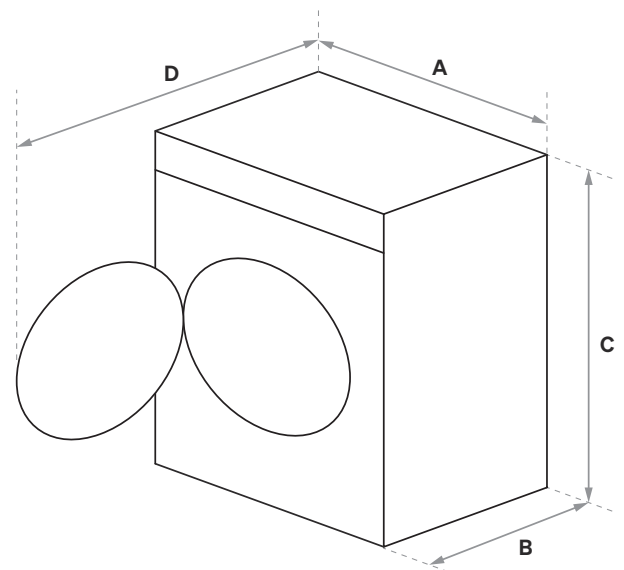
Barcode 9349260096080

Warranty 3 Years



## FRONT VIEW

Note: Please refer to the user manual for detailed installation and operation instructions, along with how to care & maintain your appliance.



## DIMENSIONS (MM)

A 600

C 845

B 595

D 1175