

# Auto Dose Front Load Washing Machine, 10kg Capacity

## AESTHETICS

White Finish with Black Control Panel

Tinted Black Glass Door

Remaining Time Display

Dial & Touch Control

White LED Display

## FUNCTIONALITY

Wash Capacity: 10kg

15 × Washing Programs

Auto Dosing

Custom 'Personalised' Program

Steam Shield: Clean & Sterilise

Stain Solve: Targeting 5 Stain Types

Speed Wash & Adjustable Temperature

24hr Delay Start & Reload Options

Auto Weighing

Inverter Motor

1500RPM Spin Speed

## PROGRAMS

1. Personalised

9. Quick 15'

2. Cotton

10. Steam Shield

3. Synthetic

11. Cotton ECO

4. Mix

12. 20°C

5. Baby

13. Wool

6. Sportswear

14. Spin Only

7. Denim

15. Drum Clean

8. Quick 45'

## CONSUMPTION

Energy Rating (MEPS) 5 Stars

Water Rating (WELS) 4.5 Stars

Standard Cleaning Cycle ECO Wash

Energy Consumption 226 kWh/year

Water Consumption 85L per Wash

## SAFETY

Child Lock Safety

Adjustable Feet

## INSTALLATION

Freestanding Installation

## SIZE W/D/H (MM)

Packaged: 680 × 695 × 850

Physical: 595 × 629 × 850

## WEIGHT (KG)

Net: 70

Gross: 74

## POWER REQUIREMENTS

Power Connection 10 Amp, Plug

Rated Voltage 220–240V~

Rated Frequency 50Hz

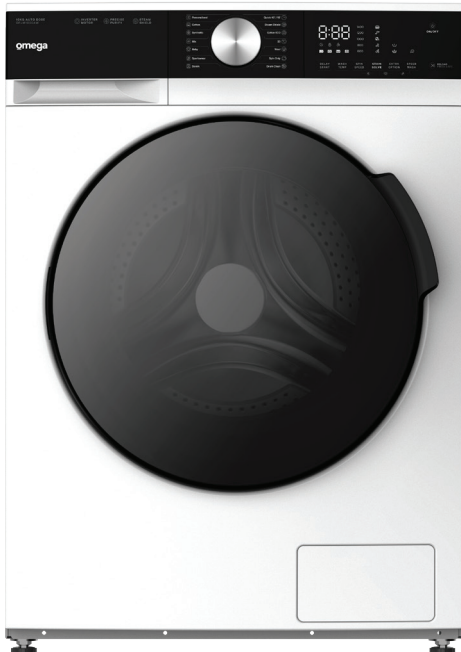
Rated Power 1950W

## ADDITIONAL DETAILS

Water Pressure 0.05MPa–1MPa

Barcode 9349260096257

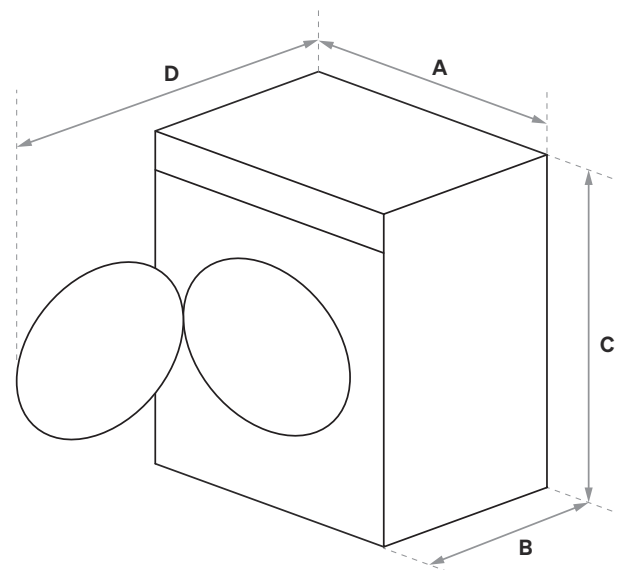
Warranty 3 Years



## FRONT VIEW

Note: Please refer to the user manual for detailed installation and operation

instructions, along with how to care & maintain your appliance.



## DIMENSIONS (MM)

A 595

C 850

B 629

D 985